

MADE IN ITALY. MADE TO EXCEL.

# Contract furniture

Interactive version



 **atlas concorde**  
habitat

September 2022



Atlas Concorde is a global specialist in premium porcelain and wall tiles for every style and application in residential, commercial and public architecture. Being global specialists means excellence in the level of design and technology in each type of surface, making it possible to always offer designers and end users the best solution for each application.

Atlas Concorde è specialista globale in superfici ceramiche d'eccellenza per ogni stile e applicazione nell'architettura residenziale, commerciale e pubblica. Essere specialisti globali significa eccellere per livello di design e tecnologia in ciascun tipo di superficie, così da offrire sempre ai progettisti e agli utilizzatori finali la soluzione migliore per ogni applicazione.

[atlasconcorde.com](https://atlasconcorde.com)

# Contract furniture



INDEX



OVERVIEW



PRODUCT GALLERY



PRODUCT RANGE & TECHNICAL SPECS.



SUSTAINABILITY



THE BENEFITS OF CERAMIC TILES





Index

INDEX



Overview

OVERVIEW



Product Gallery

PRODUCT GALLERY



Product Range & Technical Specs

TECHNICAL FEATURES

PRODUCT RANGE

LOOK, COLORS AND FINISHES

CLEANING AND MAINTENANCE

PRODUCT RANGE & TECHNICAL SPECS.



Sustainability

SUSTAINABILITY



The benefits of Ceramic Tiles

THE BENEFITS OF CERAMIC TILES



# Porcelain tiles: a safe choice



## ● HYGIENIC

Igienico

The ideal material for bathroom surfaces: the surfaces are easy to sanitize thanks to its compact nature and chemical-physical stability.

Un materiale ideale per le superfici bagno: le superfici sono facilmente igienizzabili grazie alla sua compattezza e la sua stabilità chimico-fisica.

## ● RESISTANT

Resistente

The superior surface hardness makes it especially resistant to scratches and everyday wear.

L'elevata durezza superficiale lo rende particolarmente resistente ai graffi ed all'usura quotidiana.

## ● EASY TO CLEAN

Facile da pulire

Waterproof properties teamed with a compact nature make this material resistant to chemicals and therefore easy to clean.

L'impermeabilità assieme alla compattezza lo rende un materiale resistente agli agenti chimici e di conseguenza facilmente pulibile.

## ● MATCHABLE

Coordinabile

The perfect matching with Atlas Concorde surfaces harmonizes every setting.

La perfetta abbinabilità con le superfici Atlas Concorde dona armonia a ogni ambiente.

INDEX



OVERVIEW



PRODUCT GALLERY



PRODUCT RANGE & TECHNICAL SPECS.



SUSTAINABILITY



THE BENEFITS OF CERAMIC TILES



# Harmony of spaces: coordinated furniture and surfaces.



© Ceramiche Atlas Concorde



© Ceramiche Atlas Concorde

Atlas Concorde Habitat proposes a line of bathroom furniture entirely dedicated to the world of design, which enhances the exceptional qualities of porcelain tiles. The collection features refined and trendy solutions, which find an elegant harmonious language in the Atlas Concorde combined floor and wall tiles.

Atlas Concorde Habitat propone una linea di elementi per l'arredo bagno dedicata interamente al mondo della progettazione, che valorizza le eccezionali qualità del gres porcellanato. La collezione presenta soluzioni ricercate e di tendenza, che trovano nel coordinamento con pavimenti e rivestimenti della gamma di Atlas Concorde un elegante linguaggio armonico.

Atlas Concorde Habitat propose une ligne d'éléments pour l'ameublement de salle de bains entièrement dédiée au monde de la conception, qui met en valeur les qualités exceptionnelles du grès cérame. La collection présente des solutions recherchées et tendance, qui composent un langage harmonieux élégant en coordination avec les sols et revêtements muraux de la gamme d'Atlas Concorde.

Atlas Concorde Habitat bietet eine für die Designwelt zugeschnittene Reihe von Einrichtungselementen, die die ausgezeichneten Qualitäten des Feinsteinzeugs noch weiter aufwerten. Die Kollektion bietet raffiniert trendige Designlösungen, die in der Abstimmung mit Boden- und Wandbelägen von Atlas Concorde eine elegante und harmonische Ausdrucksform finden.

Atlas Concorde Habitat propone una línea de muebles de baño pensada totalmente para el mundo del diseño de interiores, que realiza las excepcionales cualidades del porcelánico. La colección presenta soluciones sofisticadas y de tendencia, que se combinan con pavimentos y revestimientos de la gama de Atlas Concorde utilizando un elegante lenguaje armónico.

Atlas Concorde Habitat предлагает линейку мебели для ванных комнат, полностью посвященную миру дизайна, которая подчеркивает исключительные качества керамогранита. В коллекции представлены изысканные и трендовые решения, которые образуют элегантные гармоничные сочетания с напольными и настенными покрытиями Atlas Concorde.



© Ceramiche Atlas Concorde

INDEX



OVERVIEW



PRODUCT GALLERY



PRODUCT RANGE & TECHNICAL SPECS.



SUSTAINABILITY



THE BENEFITS OF CERAMIC TILES





© Ceramiche Atlas Concorde

## The combination of elegance and functionality.



© Ceramiche Atlas Concorde



© Ceramiche Atlas Concorde

Porcelain sinks and shelves are elements designed down to the smallest detail to create complete bathroom settings in terms of design and aesthetics. These proposals have a high stylistic and performance value and were designed to be matched with Atlas Concorde ceramic surfaces, ensuring a perfect combination of elegance and practicality.

Lavabi e mensole in gres porcellanato, elementi studiati nei minimi dettagli per realizzare ambienti bagno all'insegna della massima completezza progettuale ed estetica. Proposte dall'alto valore stilistico e prestazionale che nascono per coesistere, in abbinamento alle superfici ceramiche di Atlas Concorde, assicurando un perfetto connubio tra eleganza e praticità.

Lavabos et étagères en grès cérame, éléments étudiés dans les moindres détails pour réaliser des salles de bains sous le signe d'une exhaustivité conceptuelle et esthétique maximale. Des propositions à forte valeur stylistique et hautes performances créées pour cohabiter, en assortiment avec les surfaces céramiques d'Atlas Concorde, afin de garantir une union parfaite entre élégance et praticité.

Waschbecken und Ablagen aus Feinsteinzeug, bis ins kleinste Detail studierte Elemente für ein Badezimmer, das in Bezug auf Design und Ästhetik so vollständig wie möglich ist. Stilvolle und funktionale Vorschläge, die in Kombination mit den keramischen Oberflächen von Atlas Concorde eine perfekte Kombination von Eleganz und Zweckmäßigkeit gewährleisten.

Lavabos y estantes de porcelánico, elementos pensados hasta el más mínimo detalle para crear ambientes de baño con un diseño y una estética perfectos. Propuestas de alto valor estético y funcional diseñadas para convivir con las superficies cerámicas de Atlas Concorde, asegurando una combinación perfecta de elegancia y practicidad.

Умывальники и полки из керамогранита, а также продуманные до мельчайших деталей элементы придают интерьеру ванной комнаты максимальную дизайнерскую и эстетическую завершенность. Предложения с высокой стилистической и функциональной ценностью, созданные для гармоничного сосуществования, в сочетании с керамическими поверхностями Atlas Concorde являют собой идеальное сочетание элегантности и практичности.

INDEX



OVERVIEW



PRODUCT GALLERY



PRODUCT RANGE & TECHNICAL SPECS.



SUSTAINABILITY



THE BENEFITS OF CERAMIC TILES



# Synthesis of technical performance and versatility.



© Ceramiche Atlas Concorde



© Ceramiche Atlas Concorde



© Ceramiche Atlas Concorde

Thanks to the wide availability of sizes, colors and finishes, the Mastertop element opens the way for the introduction of porcelain tops that combine excellent technical performance with extreme versatility. This offers a furnishing proposal using its refined design and project functionality.

Grazie all'ampia disponibilità di dimensioni, colori e finiture, l'elemento Mastertop apre la strada alla realizzazione di piani in gres porcellanato in grado di coniugare eccellenti prestazioni tecniche e una pronunciata versatilità. Una proposta di arredo che trova un punto di sintesi tra ricercatezza del design e funzionalità progettuale.

Grâce à la grande disponibilité de dimensions, couleurs et finitions, l'élément Mastertop ouvre la voie à la réalisation de plans en grès cérame capables d'associer d'excellentes performances techniques et une polyvalence marquée. Une proposition d'ameublement qui définit un point de synthèse entre raffinement du design et fonctionnalité de conception.

Dank der großen Auswahl an Formaten, Farben und Ausführungen ermöglicht das Mastertop-Element die Realisierung von Feinsteinzeugplatten, die hervorragende technische Leistungen mit einer ausgeprägten Vielseitigkeit verbinden. Ein Einrichtungsvorschlag, der eine Synthese zwischen Designveredelung und Projektfunktionalität findet.

Gracias a la amplia disponibilidad de tamaños, colores y acabados, el elemento Mastertop abre el camino a la creación de encimeras de porcelánico capaces de combinar excelentes prestaciones técnicas y una fuerte versatilidad. Una propuesta decorativa que brinda un punto de encuentro entre estética y funcionalidad del diseño.

Благодаря широкому ассортименту размеров, цветов и отделки Mastertop открывает возможности создавать столешницы из керамогранита, сочетающие в себе превосходные технические характеристики и абсолютную универсальность. Предложение по мебелировке, которое объединяет изысканность дизайна и проектную функциональность.

INDEX



OVERVIEW



PRODUCT GALLERY



PRODUCT RANGE & TECHNICAL SPECS.



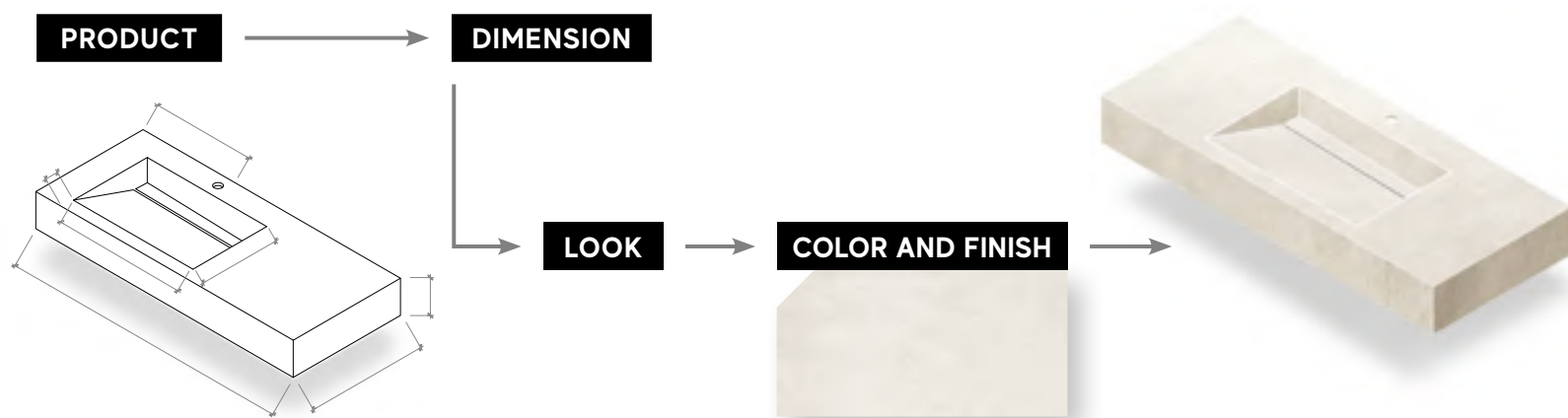
SUSTAINABILITY



THE BENEFITS OF CERAMIC TILES



# Design solutions: customizable furnishing elements.



The Contract range presents a rich offer designed to support designers and architects in designing and developing bespoke solutions, while at the same time respecting industry standards. The range serves as a perfect tool to support the realization of bathrooms, with a customer-oriented approach and the highest guarantee in terms of sturdiness and reliability.

La gamma Contract presenta una ricca offerta pensata a supporto di designer ed architetti per la progettazione e lo sviluppo di soluzioni personalizzate, ma al tempo stesso nel rispetto di forti standard industriali. Lo strumento perfetto per dare supporto alla realizzazione degli ambienti bagno, con un approccio orientato al cliente e la massima garanzia in termini di solidità e affidabilità.

La gamme Contract présente une offre riche, pensée pour aider les designers et architectes dans la conception et le développement de solutions personnalisées tout en respectant des normes industrielles sévères. L'outil parfait pour faciliter la conception des salles de bains, avec une approche centrée sur le client et une garantie maximale en termes de robustesse et de fiabilité.

Das Contract-Material bietet ein reichhaltiges Angebot zur Unterstützung von Designern und Architekten beim Entwurf und der Entwicklung kundenspezifischer Lösungen, wobei gleichzeitig strenge industrielle Standards eingehalten werden. Ein perfektes Tool für die Realisierung von Badezimmern, mit einem kundenorientierten Ansatz und maximaler Garantie in Bezug auf Solidität und Zuverlässigkeit.

La gama Contract presenta una amplia oferta creada para ayudar a diseñadores y arquitectos en el diseño y desarrollo de soluciones personalizadas que cumplen con los más estrictos estándares industriales. La herramienta perfecta para crear ambientes de baño con un enfoque orientado al cliente y la máxima garantía en cuanto a solidez y fiabilidad.

Линейка Contract предлагает широкий ассортимент продукции, призванной помочь дизайнерам и архитекторам в проектировании и разработке персонализированных решений, соответствующих устоявшимся стандартам индустриального стиля. Идеальный инструмент, помогающий при разработке интерьеров ванных комнат, характеризующийся клиентоориентированным подходом и максимальной гарантией прочности и надежности.



© Ceramiche Atlas Concorde

INDEX ≡

OVERVIEW >

PRODUCT GALLERY >

PRODUCT RANGE & TECHNICAL SPECS. >

SUSTAINABILITY >

THE BENEFITS OF CERAMIC TILES >



# Porcelain tile values: aesthetics, resistance and hygiene.



© Ceramiche Atlas Concorde



© Ceramiche Atlas Concorde

In all the sink elements of the Contract line, the availability of the accessible basin makes it possible to combine aesthetics with ease of cleaning. Hygienic and extremely hard-wearing, the basins focus on the unrivalled qualities of porcelain to give resistance and durability to bathroom furnishings.

In tutti gli elementi lavabo della linea Contract, la disponibilità della vasca ispezionabile permette di coniugare estetica con facilità di pulizia. Igieniche, estremamente resistenti, le vasche mettono al centro le qualità impareggiabili del gres porcellanato per dare forza e durezza all'arredo bagno.

Dans tous les éléments lavabo de la ligne Contract, la disponibilité du fond de cuve inspectable permet d'associer esthétique et facilité de nettoyage. Hygiéniques et extrêmement résistantes, les cuves mettent en valeur les qualités incomparables du grès cérame pour donner de la force et de la durabilité à l'ameublement de salle de bains.

Bei allen Waschtisch-Elementen der Linie Contract ermöglicht die Verfügbarkeit des inspizierbaren Beckens die Kombination von Ästhetik und einfacher Reinigung. Die hygienischen und extrem widerstandsfähigen Becken setzen auf die unübertroffenen Qualitäten des Feinsteinzeugs, damit das Bad auf Dauer schön bleibt.

Todos los lavabos de la línea Contract cuentan con un seno inspeccionable, permitiendo combinar estética con facilidad de limpieza. Higiénicos y extremadamente resistentes, los senos aprovechan las ventajas inigualables del porcelánico para dar solidez y durabilidad a los muebles de baño.

Во всех вариантах раковин линейки Contract наличие чаши с доступом для обслуживания позволяет сочетать эстетичность с простотой чистки. Гигиеничные, чрезвычайно прочные чаши наглядно демонстрируют непревзойденные качества керамогранита, делающего мебель для ванных комнат прочной и долговечной.



© Ceramiche Atlas Concorde

INDEX



OVERVIEW



PRODUCT GALLERY



PRODUCT RANGE & TECHNICAL SPECS.



SUSTAINABILITY



THE BENEFITS OF CERAMIC TILES



# Product Gallery

**Single Wall-Mounted Washbasin**  
Lavabo da parete singolo



© Ceramiche Atlas Concorde

**Sit-On Basin / Top**  
Catino da appoggio / Top



© Ceramiche Atlas Concorde

**Twin Wall-Mounted Washbasin**  
Lavabo da parete doppio



© Ceramiche Atlas Concorde

**Mastertop**



© Ceramiche Atlas Concorde

INDEX



OVERVIEW



PRODUCT GALLERY



SINGLE WALL-MOUNTED WASHBASIN

SIT-ON BASIN / TOP

TWIN WALL-MOUNTED WASHBASIN

MASTERTOP

PRODUCT RANGE & TECHNICAL SPECS.



SUSTAINABILITY



THE BENEFITS OF CERAMIC TILES



# Single wall-mounted sink

Lavabo da parete singolo  
 Lavabo mural simple  
 Einzelwaschtisch mit Wandbefestigung  
 Lavabo suspendido de un seno  
 Одинарная настенная раковина

A wall-mounted sink with an accessible stainless steel basin. A practical product, suitable for all needs, which can be customized in terms of length, basin position and finishes, choosing from all those available in the Atlas Concorde catalogue.

Un lavabo sospeso a parete dotato di vasca ispezionabile in acciaio inossidabile. Un prodotto pratico, adatto a tutte le esigenze, che può essere personalizzato in termini di lunghezza, posizione della vasca e finiture, scegliendo fra tutte quelle disponibili nel catalogo Atlas Concorde.

Un lavabo mural suspendu doté d'une cuve avec fond inspectable en acier inoxydable. Un produit pratique, adapté à toutes les exigences, qui peut être personnalisé en ce qui concerne la longueur, la position de la cuve et les finitions, en choisissant parmi toutes celles disponibles dans le catalogue Atlas Concorde.

Ein wandhängendes Waschbecken mit inspizierbarem Edelstahlbecken. Ein praktisches, auf alle Bedürfnisse zugeschnittenes Produkt, das in Bezug auf Länge, Position der Wanne und Ausführung individuell angepasst werden kann, wobei aus allen im Atlas Concorde-Katalog erhältlichen Angeboten gewählt werden kann.

Un lavabo suspendido con seno inspeccionable de acero inoxidable. Un producto práctico, que se adapta a todas las necesidades y puede personalizarse en longitud, posición del seno y acabados, eligiendo entre todas las opciones disponibles en el catálogo Atlas Concorde.

Подвесная настенная раковина с чашей из нержавеющей стали с доступом для обслуживания. Практичный продукт, удовлетворяющий любые потребности, который можно персонализировать по длине, положению чаши и отделке, выбрав из всех доступных вариантов в каталоге Atlas Concorde.



© Ceramiche Atlas Concorde

INDEX



OVERVIEW



PRODUCT GALLERY



SINGLE WALL-MOUNTED WASHBASIN

SIT-ON BASIN / TOP

TWIN WALL-MOUNTED WASHBASIN

MASTERTOP

PRODUCT RANGE & TECHNICAL SPECS.



SUSTAINABILITY



THE BENEFITS OF CERAMIC TILES





© Ceramiche Atlas Concorde

MODEL | CONTRACT

**Single wall-mounted sink**  
 150x50x15 cm | 59"x19 5/8"x5 7/8"  
 Marvel X Fior di Bosco Polished/Lappato

**Shelf**  
 150x35x5 cm | 59"x13 3/4"x2"  
 Marvel X Fior di Bosco Polished/Lappato

PORCELAIN TILES

**Marvel X Calacatta Apuano Matte/Matt Sensitech**  
 60x120 cm | 23 5/8"x47 1/4"

**Boost Smoke Grip/Grip**  
 120x120 cm | 47 1/4"x47 1/4"

**Marvel X Calacatta Apuano Hammered Matte/Matt Sensitech**  
 60x120 cm | 23 5/8"x47 1/4"

**Marvel X Fior di Bosco Polished/Lappato**  
 120x278 cm | 47 1/4"x109 1/2"

**Marvel X Mosaico Chevron Fior di Bosco Polished/Lappato**  
 46,3x19,2 cm | 18 1/4"x7 1/2"

INDEX



OVERVIEW



PRODUCT GALLERY



SINGLE WALL-MOUNTED WASHBASIN

SIT-ON BASIN / TOP

TWIN WALL-MOUNTED WASHBASIN

MASTERTOP

PRODUCT RANGE & TECHNICAL SPECS.



SUSTAINABILITY



THE BENEFITS OF CERAMIC TILES





© Ceramiche Atlas Concorde



© Ceramiche Atlas Concorde

MODEL | CONTRACT

**Single wall-mounted sink**  
 150x50x15 cm | 59"x19 3/8"x5 1/8"  
 Marvel X Fior di Bosco Polished/Lappato

**Shelf**  
 150x35x5 cm | 59"x13 3/4"x2"  
 Marvel X Fior di Bosco Polished/Lappato

PORCELAIN TILES

**Marvel X Calacatta Apuano Matte/Matt Sensitech**  
 60x120 cm | 23 5/8"x47 1/4"

**Boost Smoke Grip/Grip**  
 120x120 cm | 47 1/4"x47 1/4"

**Marvel X Calacatta Apuano Hammered Matte/Matt Sensitech**  
 60x120 cm | 23 5/8"x47 1/4"

**Marvel X Fior di Bosco Polished/Lappato**  
 120x278 cm | 47 1/4"x109 1/2"

**Marvel X Mosaico Chevron Fior di Bosco Polished/Lappato**  
 46,3x19,2 cm | 18 1/4"x7 1/2"

INDEX



OVERVIEW



PRODUCT GALLERY



SINGLE WALL-MOUNTED WASHBASIN

SIT-ON BASIN / TOP

TWIN WALL-MOUNTED WASHBASIN

MASTERTOP

PRODUCT RANGE & TECHNICAL SPECS.



SUSTAINABILITY



THE BENEFITS OF CERAMIC TILES





© Ceramiche Atlas Concorde

MODEL | CONTRACT

**Single wall-mounted sink**  
 120x50x15 cm | 47 1/4"x19 5/8"x5 7/8"  
 Boost Pro Clay Matte/Matt

**Shelf**  
 120x35x5 cm | 47 1/4"x13 3/4"x2"  
 Boost Pro Clay Matte/Matt

PORCELAIN TILES

**Boost Pro Clay Matte/Matt**  
 120x120 cm | 47 1/4"x47 1/4"

**Boost Pro Ivory Matte/Matt**  
 120x278 cm | 47 1/4"x109 1/2"

INDEX



OVERVIEW



PRODUCT GALLERY



SINGLE WALL-MOUNTED WASHBASIN

SIT-ON BASIN / TOP

TWIN WALL-MOUNTED WASHBASIN

MASTERTOP

PRODUCT RANGE & TECHNICAL SPECS.



SUSTAINABILITY



THE BENEFITS OF CERAMIC TILES





© Ceramiche Atlas Concorde

MODEL | CONTRACT

**Single wall-mounted sink**  
 120x50x15 cm | 47 1/4"x19 5/8"x5 7/8"  
 Boost Pro Clay Matte/Matt

**Shelf**  
 120x35x5 cm | 47 1/4"x13 3/4"x2"  
 Boost Pro Clay Matte/Matt

PORCELAIN TILES

**Boost Pro Clay Matte/Matt**  
 120x120 cm | 47 1/4"x47 1/4"

**Boost Pro Ivory Matte/Matt**  
 120x278 cm | 47 1/4"x109 1/2"



© Ceramiche Atlas Concorde

INDEX



OVERVIEW



PRODUCT GALLERY



SINGLE WALL-MOUNTED WASHBASIN

SIT-ON BASIN / TOP

TWIN WALL-MOUNTED WASHBASIN

MASTERTOP

PRODUCT RANGE & TECHNICAL SPECS.



SUSTAINABILITY



THE BENEFITS OF CERAMIC TILES





MODEL | CONTRACT

**Single wall-mounted sink**  
120x50x15 cm | 47 1/4"x19 3/8"x5 7/8"  
Boost Pro Taupe Matte/Matt  
**Shelf**  
120x35x5 cm | 47 1/4"x13 3/4"x2"  
Boost Pro Taupe Matte/Matt

PORCELAIN TILES

**Marvel Pro Crema Delicato Polished/Lappato**  
120x120 cm | 47 1/4"x47 1/4"  
120x278 cm | 47 1/4"x109 1/2"

© Ceramiche Atlas Concorde

INDEX



OVERVIEW



PRODUCT GALLERY



SINGLE WALL-MOUNTED WASHBASIN

SIT-ON BASIN / TOP

TWIN WALL-MOUNTED WASHBASIN

MASTERTOP

PRODUCT RANGE & TECHNICAL SPECS.



SUSTAINABILITY



THE BENEFITS OF CERAMIC TILES







© Ceramiche Atlas Concorde



© Ceramiche Atlas Concorde

MODEL | CONTRACT

**Single wall-mounted sink**  
 120x50x15 cm | 47 1/4"x19 3/8"x5 7/8"  
 Boost Pro Taupe Matte/Matt

**Shelf**  
 120x35x5 cm | 47 1/4"x13 3/4"x2"  
 Boost Pro Taupe Matte/Matt

PORCELAIN TILES

**Marvel Pro Crema Delicato Polished/Lappato**  
 120x120 cm | 47 1/4"x47 1/4"  
 120x278 cm | 47 1/4"x109 1/2"

INDEX



OVERVIEW



PRODUCT GALLERY



SINGLE WALL-MOUNTED WASHBASIN

SIT-ON BASIN / TOP

TWIN WALL-MOUNTED WASHBASIN

MASTERTOP

PRODUCT RANGE & TECHNICAL SPECS.



SUSTAINABILITY



THE BENEFITS OF CERAMIC TILES



# Sit-on basin Top

Lavabo d'appoggio / Top  
Cuve à poser / Plan  
Auflagebecken / Top  
Lavabo sobre encimera / Encimera  
Накладная раковина / Столешница

A rectangular porcelain tile sink. The basin of the sink can be accessed, facilitating daily cleaning. It can be customized with the desired finish to create a matching solution to the porcelain vanity top, floor and wall tiles.

Un lavabo d'appoggio rettangolare in gres porcellanato. La vasca ispezionabile facilita le operazioni di pulizia quotidiane. Può essere personalizzato con la finitura desiderata per creare una soluzione coordinata al top in gres porcellanato, ai pavimenti e alle pareti.

Une cuve à poser rectangulaire en grès cérame. Le fond de cuve inspectable facilite les opérations de nettoyage quotidien. Elle peut être personnalisée avec la finition souhaitée afin de créer une solution coordonnée au plan en grès cérame, aux sols et aux murs.

Ein rechteckiges Aufsatzbecken aus Feinsteinzeug. Das Becken ist inspizierbar, was die tägliche Reinigung erleichtert. Zur Gewährleistung einer perfekten Abstimmung mit den anderen Einrichtungsgegenständen wie Platte, Boden- und Wandbelägen im Bad, kann die Fertigbearbeitung frei gewählt werden.

Un lavabo sobre encimera rectangular de porcelánico. El seno inspeccionable facilita las operaciones de limpieza diaria. Se puede personalizar con el acabado deseado para crear una solución a juego con la encimera de porcelánico, los pavimentos y los revestimientos.

Накладная раковина из керамогранита прямоугольной формы. Чаша с доступом для обслуживания облегчает ежедневную чистку. Может быть выполнена по индивидуальному заказу в отделке на выбор, обеспечивая, таким образом, решение, гармонирующее с керамогранитной столешницей, а также с напольной и настенной плиткой.



© Ceramiche Atlas Concorde

INDEX



OVERVIEW



PRODUCT  
GALLERY



SINGLE WALL-MOUNTED  
WASHBASIN

SIT-ON BASIN / TOP



TWIN WALL-MOUNTED  
WASHBASIN

MASTERTOP

PRODUCT  
RANGE &  
TECHNICAL  
SPECS.



SUSTAINABILITY



THE BENEFITS OF  
CERAMIC TILES





© Ceramiche Atlas Concorde

MODEL | CONTRACT

**Sit-on basin**  
 65x50x15 cm | 25 5/8"x19 5/8"x5 7/8"  
 Prism Cloud Matte/Matt

**Top**  
 160x50x15 cm | 63"x19 5/8"x5 7/8"  
 Prism Cloud Matte/Matt

**Shelf**  
 180x35x5 cm | 70 7/8"x13 3/4"x2"  
 Prism Cloud Matte/Matt

PORCELAIN TILES

**Prism Cloud Matte/Matt**  
 120x120 cm | 47 1/4"x47 1/4"

**Prism Emerald Matte/Mat**  
 120x278 cm | 47 1/4"x109 1/2"

WALL TILE DECORS

**Prism Brush**  
 50x120 cm | 19 5/8"x47 1/4"

INDEX



OVERVIEW



PRODUCT GALLERY



SINGLE WALL-MOUNTED WASHBASIN

SIT-ON BASIN / TOP



TWIN WALL-MOUNTED WASHBASIN

MASTERTOP

PRODUCT RANGE & TECHNICAL SPECS.



SUSTAINABILITY



THE BENEFITS OF CERAMIC TILES





© Ceramiche Atlas Concorde



© Ceramiche Atlas Concorde

MODEL | CONTRACT

**Sit-on basin**  
 65x50x15 cm | 25 5/8"x19 5/8"x5 7/8"  
 Prism Cloud Matte/Matt

**Top**  
 160x50x15 cm | 63"x19 5/8"x5 7/8"  
 Prism Cloud Matte/Matt

**Shelf**  
 180x35x5 cm | 70 7/8"x13 3/4"x2"  
 Prism Cloud Matte/Matt

PORCELAIN TILES

**Prism Cloud Matte/Matt**  
 120x120 cm | 47 1/4"x47 1/4"

**Prism Emerald Matte/Mat**  
 120x278 cm | 47 1/4"x109 1/2"

INDEX



OVERVIEW



PRODUCT GALLERY



SINGLE WALL-MOUNTED WASHBASIN

SIT-ON BASIN / TOP



TWIN WALL-MOUNTED WASHBASIN

MASTERTOP

PRODUCT RANGE & TECHNICAL SPECS.



SUSTAINABILITY



THE BENEFITS OF CERAMIC TILES





© Ceramiche Atlas Concorde

MODEL | CONTRACT

**Sit-on basin**  
65x50x15 cm | 25 5/8"x19 5/8"x5 7/8"  
Boost White Matte/Matt

**Top**  
120x50x15 cm | 47 1/4"x19 5/8"x5 7/8"  
Boost White Matte/Matt

PORCELAIN TILES

**Boost Pearl Matte/Matt**  
120x120 cm | 47 1/4"x47 1/4"

**Boost Smoke Matte/Matt**  
60x120 cm | 23 5/8"x47 1/4"

INDEX



OVERVIEW



PRODUCT GALLERY



SINGLE WALL-MOUNTED WASHBASIN

SIT-ON BASIN / TOP



TWIN WALL-MOUNTED WASHBASIN

MASTERTOP

PRODUCT RANGE & TECHNICAL SPECS.



SUSTAINABILITY



THE BENEFITS OF CERAMIC TILES





© Ceramiche Atlas Concorde

MODEL | CONTRACT

**Sit-on basin**  
 65x50x15 cm | 25 5/8"x19 5/8"x5 7/8"  
 Boost White Matte/Matt

**Top**  
 120x50x15 cm | 47 1/4"x19 5/8"x5 7/8"  
 Boost White Matte/Matt

PORCELAIN TILES

**Boost Pearl Matte/Matt**  
 120x120 cm | 47 1/4"x47 1/4"

**Boost Smoke Matte/Matt**  
 60x120 cm | 23 5/8"x47 1/4"



© Ceramiche Atlas Concorde

INDEX



OVERVIEW



PRODUCT GALLERY



SINGLE WALL-MOUNTED WASHBASIN

SIT-ON BASIN / TOP



TWIN WALL-MOUNTED WASHBASIN

MASTERTOP

PRODUCT RANGE & TECHNICAL SPECS.



SUSTAINABILITY



THE BENEFITS OF CERAMIC TILES



# Twin wall-mounted sink

Lavabo da parete doppio  
 Lavabo Mural Double  
 Doppelwaschtisch mit Wandbefestigung  
 Lavabo suspendido doble seno  
 Двойная настенная раковина

An elegant twin wall-mounted sink with accessible basins, easily installed on the wall. It is a solution that can be customized in terms of dimensions, basins position and finish, to design a perfectly matching bathroom environment.

Un elegante lavabo doppio sospeso dotato di vasche ispezionabili, facilmente installabile a parete. E' una soluzione personalizzabile in termini di lunghezza, posizione delle vasche e finiture, che permette di progettare un ambiente bagno perfettamente coordinato.

Un élégant lavabo double suspendu doté de cuves avec fond inspectable, pouvant facilement être installé au mur. C'est une solution personnalisable en ce qui concerne la longueur, la position des cuves et les finitions et qui permet de concevoir un espace salle de bains parfaitement coordonné.

Ein elegantes, wandhängendes Doppelwaschbecken mit inspizierbaren Becken, das einfach installiert werden kann. Diese ganz nach eigenem Geschmack gestaltbare Lösung, mit verschiedenen Längen und Beckenpositionen sowie Finishes sorgt für ein harmonisch eingerichtetes Bad.

Un elegante lavabo doble suspendido con senos inspeccionables y de fácil instalación en la pared. Es una solución que se puede personalizar en longitud, posición de los senos y acabados para diseñar un baño perfectamente coordinado.

Элегантная двойная настенная раковина с чашами с доступом для обслуживания, которую легко монтировать на стене. Может персонализировать по длине, положению чаш и отделке, что позволяет создать идеальный гармоничный интерьер ванной комнаты.



© Ceramiche Atlas Concorde

INDEX



OVERVIEW



PRODUCT GALLERY



SINGLE WALL-MOUNTED WASHBASIN

SIT-ON BASIN / TOP

TWIN WALL-MOUNTED WASHBASIN

MASTERTOP

PRODUCT RANGE & TECHNICAL SPECS.



SUSTAINABILITY



THE BENEFITS OF CERAMIC TILES





© Ceramiche Atlas Concorde

MODEL | CONTRACT

**Twin wall-mounted sink**  
 210x50x15 cm | 82 5/8"x19 5/8"x5 7/8"  
 Boost Stone Pearl Matte/Matt

**Shelf**  
 210x35x5 cm | 82 5/8"x13 3/4"x2"  
 Boost Stone Pearl Matte/Matt

PORCELAIN TILES

**Boost Stone Pearl Matte/Matt**  
 120x120 cm | 47 1/4"x47 1/4"

**Boost White Matte/Matt**  
 120x278 cm | 47 1/4"x109 1/2"

INDEX



OVERVIEW



PRODUCT GALLERY



SINGLE WALL-MOUNTED WASHBASIN

SIT-ON BASIN / TOP

TWIN WALL-MOUNTED WASHBASIN

MASTERTOP

PRODUCT RANGE & TECHNICAL SPECS.



SUSTAINABILITY



THE BENEFITS OF CERAMIC TILES







© Ceramiche Atlas Concorde

MODEL | CONTRACT

**Twin wall-mounted sink**  
 210x50x15 cm | 82 5/8"x19 5/8"x5 7/8"  
 Boost Stone Pearl Matte/Matt  
**Shelf**  
 210x35x5 cm | 82 5/8"x13 3/4"x2"  
 Boost Stone Pearl Matte/Matt

PORCELAIN TILES

**Boost Stone Pearl Matte/Matt**  
 120x120 cm | 47 1/4"x47 1/4"  
**Boost White Matte/Matt**  
 120x278 cm | 47 1/4"x109 1/2"



© Ceramiche Atlas Concorde

INDEX



OVERVIEW



PRODUCT GALLERY



SINGLE WALL-MOUNTED WASHBASIN

SIT-ON BASIN / TOP

TWIN WALL-MOUNTED WASHBASIN

MASTERTOP

PRODUCT RANGE & TECHNICAL SPECS.



SUSTAINABILITY



THE BENEFITS OF CERAMIC TILES





© Ceramiche Atlas Concorde

MODEL | CONTRACT

**Twin wall-mounted sink**  
 220x50x15 cm | 86 5/8"x19 5/8"x5 7/8"  
 Marvel Shine Calacatta Prestigio Polished/Lappato

**Shelf**  
 220x35x5 cm | 86 5/8"x13 3/4"x2"  
 Marvel Shine Calacatta Prestigio Polished/Lappato

PORCELAIN TILES

**Marvel Shine Calacatta Prestigio Polished/Lappato**  
 120x120 cm | 47 1/4"x47 1/4"  
 120x278 cm | 47 1/4"x109 1/2"

INDEX



OVERVIEW



PRODUCT GALLERY



SINGLE WALL-MOUNTED WASHBASIN

SIT-ON BASIN / TOP

TWIN WALL-MOUNTED WASHBASIN

MASTERTOP

PRODUCT RANGE & TECHNICAL SPECS.



SUSTAINABILITY



THE BENEFITS OF CERAMIC TILES





© Ceramiche Atlas Concorde



© Ceramiche Atlas Concorde

MODEL | CONTRACT

**Twin wall-mounted sink**  
 220x50x15 cm | 86 5/8"x19 5/8"x5 7/8"  
 Marvel Shine Calacatta Prestigio Polished/Lappato

**Shelf**  
 220x35x5 cm | 86 5/8"x13 3/4"x2"  
 Marvel Shine Calacatta Prestigio Polished/Lappato

PORCELAIN TILES

**Marvel Shine Calacatta Prestigio Polished/Lappato**  
 120x120 cm | 47 1/4"x47 1/4"  
 120x278 cm | 47 1/4"x109 1/2"

INDEX



OVERVIEW



PRODUCT GALLERY



SINGLE WALL-MOUNTED WASHBASIN

SIT-ON BASIN / TOP

TWIN WALL-MOUNTED WASHBASIN

MASTERTOP

PRODUCT RANGE & TECHNICAL SPECS.



SUSTAINABILITY



THE BENEFITS OF CERAMIC TILES



# Mastertop

The Mastertop element makes it possible to create fascinating porcelain tops. The product is available in different sizes and can be customized in terms of colors and finishes, choosing from a wide range of surfaces from the Atlas Concorde range. Mastertop is refined and versatile, it is designed and manufactured to fit all models of sit-on basins and basins on the market made from a variety of materials.

L'elemento Mastertop permette di realizzare affascinanti piani in gres porcellanato. Il prodotto è disponibile in diverse dimensioni ed è personalizzabile nei colori e nelle finiture, scegliendo tra un'ampia varietà di superfici della gamma Atlas Concorde. Raffinato e versatile, il Mastertop è pensato e realizzato per adattarsi a tutti i modelli di ciotole e catini da appoggio presenti sul mercato realizzati con i più svariati materiali.

L'élément Mastertop permet de réaliser des plans en grès cérame captivants. Le produit est disponible en plusieurs dimensions et les couleurs et finitions peuvent être personnalisées, en choisissant dans une large variété de surfaces de la gamme Atlas Concorde. Raffiné et polyvalent, le Mastertop est conçu et réalisé pour s'adapter à tous les modèles de bacs et cuves à poser présents sur le marché réalisés dans les matériaux les plus divers.

Das Mastertop-Element ermöglicht die Errichtung von wunderbaren Arbeitsplatten aus Feinsteinzeug. Das Produkt ist in verschiedenen Formaten erhältlich und kann in Bezug auf Farben und Ausführungen individuell gestaltet werden, wobei aus einer Vielzahl von Oberflächen aus dem Atlas Concorde-Sortiment gewählt werden kann.

Das raffinierte und vielseitig einsetzbare Mastertop ist so konzipiert und hergestellt, dass es zu allen auf dem Markt befindlichen Auflagebecken aus unterschiedlichen Materialien passt.

El elemento Mastertop permite crear fascinantes encimeras de porcelánico. El producto está disponible en diferentes tamaños y se puede personalizar en colores y acabados, eligiendo entre una amplia variedad de superficies de la gama Atlas Concorde. Con un estilo refinado y versátil, Mastertop se ha diseñado y fabricado para adaptarse a todos los modelos de cubetas y lavabos sobre encimera del mercado fabricados con la más amplia variedad de materiales.

Продукт Mastertop позволяет создавать привлекательные столешницы из керамогранита. Продукт доступен в различных размерах и может быть персонализирован по цвету и отделке из широкого спектра поверхностей ассортимента Atlas Concorde.

Утонченное и универсальное покрытие Mastertop разработано и изготовлено для всех моделей чаш и накладных раковин, представленных на рынке и изготовленных из самых разных материалов.



© Ceramiche Atlas Concorde

INDEX



OVERVIEW



PRODUCT GALLERY



SINGLE WALL-MOUNTED WASHBASIN

SIT-ON BASIN / TOP

TWIN WALL-MOUNTED WASHBASIN

MASTERTOP

PRODUCT RANGE & TECHNICAL SPECS.



SUSTAINABILITY



THE BENEFITS OF CERAMIC TILES





© Ceramiche Atlas Concorde

MODEL | CONTRACT

**Mastertop**  
180x50x12 cm | 70 7/8"x19 5/8"x4 3/4"  
Marvel Travertine Pearl Vein Cut Matte/Matt

PORCELAIN TILES

**Marvel Travertine Pearl Vein Cut Matte/Matt**  
120x240 cm | 47 1/4"x94 1/2"  
120x278 cm | 47 1/4"x109 1/2"

INDEX



OVERVIEW



PRODUCT GALLERY



SINGLE WALL-MOUNTED WASHBASIN

SIT-ON BASIN / TOP

TWIN WALL-MOUNTED WASHBASIN

MASTERTOP

PRODUCT RANGE & TECHNICAL SPECS.



SUSTAINABILITY



THE BENEFITS OF CERAMIC TILES





© Ceramiche Atlas Concorde



© Ceramiche Atlas Concorde

MODEL | CONTRACT

**Mastertop**  
180x50x12 cm | 70 7/8"x19 5/8"x4 3/4"  
Marvel Travertine Pearl Vein Cut Matte/Matt

PORCELAIN TILES

**Marvel Travertine Pearl Vein Cut Matte/Matt**  
120x240 cm | 47 1/4"x94 1/2"  
120x278 cm | 47 1/4"x109 1/2"

INDEX



OVERVIEW



PRODUCT GALLERY



SINGLE WALL-MOUNTED WASHBASIN

SIT-ON BASIN / TOP

TWIN WALL-MOUNTED WASHBASIN

MASTERTOP

PRODUCT RANGE & TECHNICAL SPECS.



SUSTAINABILITY



THE BENEFITS OF CERAMIC TILES





© Ceramiche Atlas Concorde

MODEL | CONTRACT

**Mastertop**  
120x50x12 cm | 47 1/4"x19 5/8"x4 3/4"  
Boost Mix Pearl Matte/Matt

PORCELAIN TILES

**Boost Mix Pearl Matte/Matt**  
120x120 cm | 47 1/4"x47 1/4"  
120x278 cm | 47 1/4"x109 1/2"  
**Boost White Matte/Matt**  
120 x 278 cm | 47 1/4"x109 1/2"

INDEX



OVERVIEW



PRODUCT GALLERY



SINGLE WALL-MOUNTED WASHBASIN

SIT-ON BASIN / TOP

TWIN WALL-MOUNTED WASHBASIN

MASTERTOP

PRODUCT RANGE & TECHNICAL SPECS.



SUSTAINABILITY



THE BENEFITS OF CERAMIC TILES





© Ceramiche Atlas Concorde

MODEL | CONTRACT

**Mastertop**  
 120x50x12 cm | 47 1/4"x19 5/8"x4 3/4"  
 Boost Mix Pearl Matte/Matt

PORCELAIN TILES

**Boost Mix Pearl Matte/Matt**  
 120x120 cm | 47 1/4"x47 1/4"  
 120x278 cm | 47 1/4"x109 1/2"  
**Boost White Matte/Matt**  
 120 x 278 cm | 47 1/4"x109 1/2"



© Ceramiche Atlas Concorde

INDEX



OVERVIEW



PRODUCT GALLERY



SINGLE WALL-MOUNTED WASHBASIN

SIT-ON BASIN / TOP

TWIN WALL-MOUNTED WASHBASIN

MASTERTOP

PRODUCT RANGE & TECHNICAL SPECS.



SUSTAINABILITY



THE BENEFITS OF CERAMIC TILES







© Ceramiche Atlas Concorde

MODEL | CONTRACT

**Mastertop**  
160x50x12 cm | 63"x19 5/8"x4 3/4"  
Boost Natural Ash Matte/Matt

PORCELAIN TILES

**Boost Natural Ash Matte/Matt**  
120x120 cm | 47 1/4"x47 1/4"  
**Boost Natural Kaolin Matte/Matt**  
120x278 cm | 47 1/4"x109 1/2"

INDEX



OVERVIEW



PRODUCT GALLERY



SINGLE WALL-MOUNTED WASHBASIN

SIT-ON BASIN / TOP

TWIN WALL-MOUNTED WASHBASIN

MASTERTOP

PRODUCT RANGE & TECHNICAL SPECS.



SUSTAINABILITY



THE BENEFITS OF CERAMIC TILES





© Ceramiche Atlas Concorde



© Ceramiche Atlas Concorde

MODEL | CONTRACT

**Mastertop**  
 160x50x12 cm | 63"x19 5/8"x4 3/4"  
 Boost Natural Ash Matte/Matt

PORCELAIN TILES

**Boost Natural Ash Matte/Matt**  
 120x120 cm | 47 1/4"x47 1/4"  
**Boost Natural Kaolin Matte/Matt**  
 120x278 cm | 47 1/4"x109 1/2"

INDEX



OVERVIEW



PRODUCT GALLERY



SINGLE WALL-MOUNTED WASHBASIN

SIT-ON BASIN / TOP

TWIN WALL-MOUNTED WASHBASIN

MASTERTOP

PRODUCT RANGE & TECHNICAL SPECS.



SUSTAINABILITY



THE BENEFITS OF CERAMIC TILES





© Ceramiche Atlas Concorde

MODEL | CONTRACT

**Mastertop**  
180x50x12 cm | 70 7/8"x19 5/8"x4 3/4"  
Marvel Shine Calacatta Prestigio Silk

PORCELAIN TILES

**Marvel Shine Calacatta Prestigio Silk**  
120x120 cm | 47 1/4"x47 1/4"  
120x278 cm | 47 1/4"x109 1/2"

INDEX



OVERVIEW



PRODUCT GALLERY



SINGLE WALL-MOUNTED WASHBASIN

SIT-ON BASIN / TOP

TWIN WALL-MOUNTED WASHBASIN

MASTERTOP

PRODUCT RANGE & TECHNICAL SPECS.



SUSTAINABILITY



THE BENEFITS OF CERAMIC TILES





© Ceramiche Atlas Concorde



© Ceramiche Atlas Concorde

MODEL | CONTRACT

**Mastertop**  
180x50x12 cm | 70 7/8"x19 5/8"x4 3/4"  
Marvel Shine Calacatta Prestigio Silk

PORCELAIN TILES

**Marvel Shine Calacatta Prestigio Silk**  
120x120 cm | 47 1/4"x47 1/4"  
120x278 cm | 47 1/4"x109 1/2"

INDEX



OVERVIEW



PRODUCT GALLERY



SINGLE WALL-MOUNTED WASHBASIN

SIT-ON BASIN / TOP

TWIN WALL-MOUNTED WASHBASIN

MASTERTOP

PRODUCT RANGE & TECHNICAL SPECS.



SUSTAINABILITY



THE BENEFITS OF CERAMIC TILES





# Product Range & Technical Specifications

- 72 TECHNICAL FEATURES
- 74 PRODUCT RANGE
- 80 LOOKS, COLORS AND FINISHES
- 86 CLEANING AND MAINTENANCE

INDEX



OVERVIEW



PRODUCT GALLERY



PRODUCT RANGE & TECHNICAL SPECS.



TECHNICAL FEATURES

PRODUCT RANGE

LOOKS, COLORS AND FINISHES

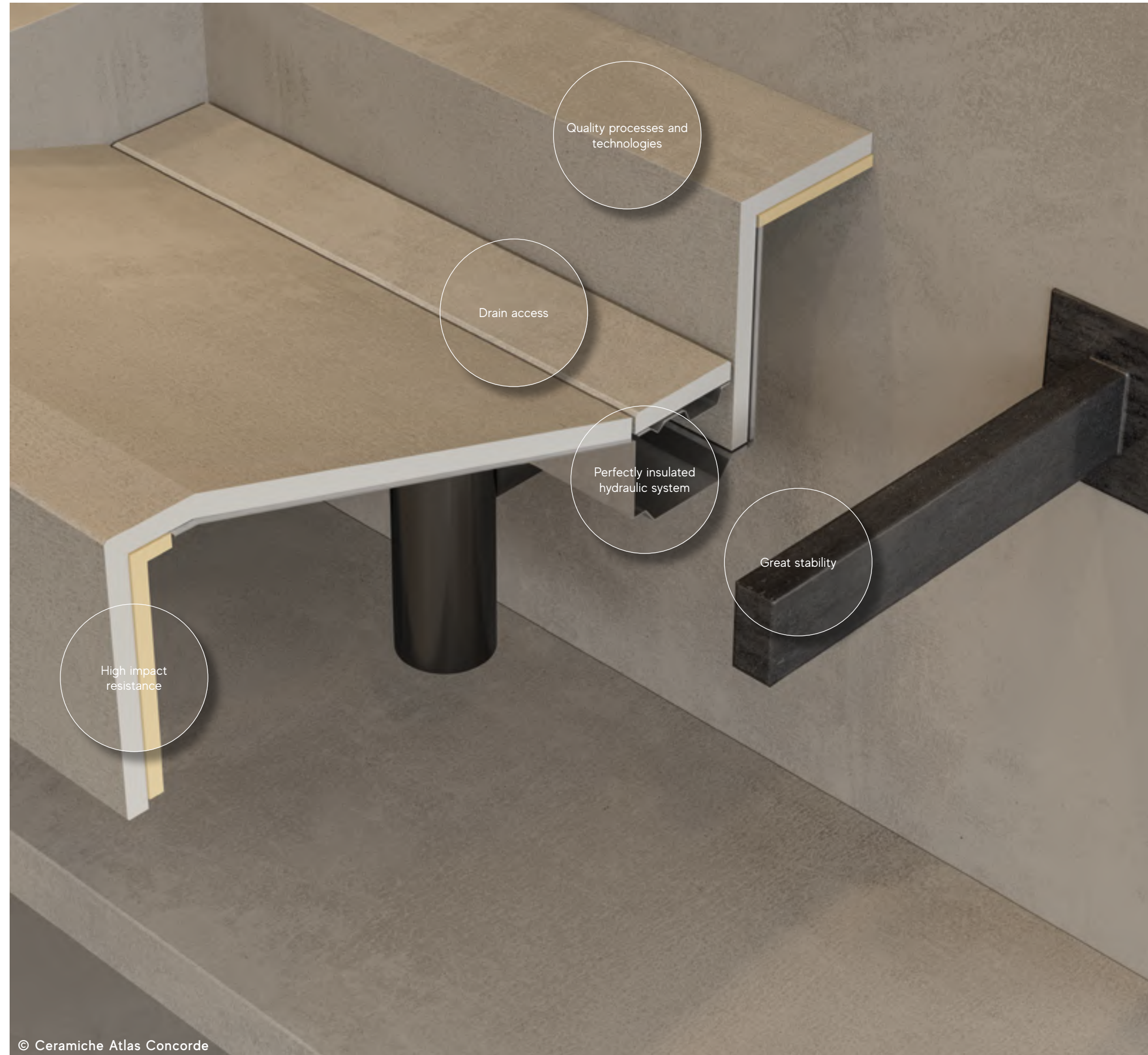
CLEANING AND MAINTENANCE

SUSTAINABILITY



THE BENEFITS OF CERAMIC TILES





© Ceramiche Atlas Concorde

# Technical features



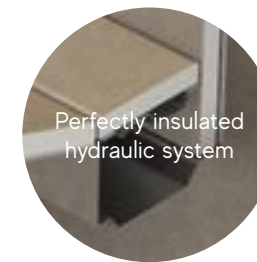
**Quality processes and technologies:** the use of the most advanced manufacturing techniques, the best materials and stringent quality testing protocols allow Atlas Concorde products to achieve very high aesthetic and functional performance.

**Processi e tecnologie di qualità:** l'utilizzo delle più avanzate tecniche di lavorazione, dei migliori materiali nonché di stringenti protocolli di qualità permettono di raggiungere un'elevatissima performance estetica e funzionale.



**Drain access:** rotating the swinging panel makes it possible to access the basin, allowing any remaining dirt to be easily removed.

**Vasca ispezionabile:** attraverso la rotazione della basculante è possibile ispezionare la vasca, consentendo di rimuovere con facilità ogni eventuale residuo di sporco.



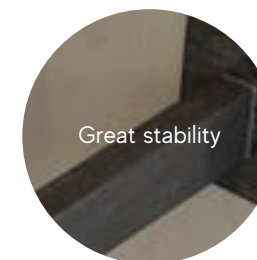
**Perfectly insulated hydraulic system:** the one-piece stainless steel basin prevents water infiltration and ensures perfect hydraulic insulation of the object over time.

**Sistema idraulico perfettamente isolato:** la vasca monoblocco in acciaio inossidabile evita le infiltrazioni di acqua e garantisce nel tempo il perfetto isolamento idraulico dell'oggetto.



**High impact resistance:** the composite structure has been designed and tested to ensure high impact resistance.

**Alta resistenza agli urti:** la struttura composita è stata progettata e testata in modo da garantire una grande resistenza agli urti.



**Great stability:** the fixing system consisting of specially designed stainless-steel brackets ensures high stability and structural sturdiness.

**Grande stabilità:** il sistema di fissaggio costituito da delle staffe in metallo appositamente studiate ne garantiscono un'elevata stabilità e solidità strutturale.

INDEX



OVERVIEW



PRODUCT GALLERY



PRODUCT RANGE & TECHNICAL SPECS.



TECHNICAL FEATURES

PRODUCT RANGE

LOOKS, COLORS AND FINISHES

CLEANING AND MAINTENANCE

SUSTAINABILITY



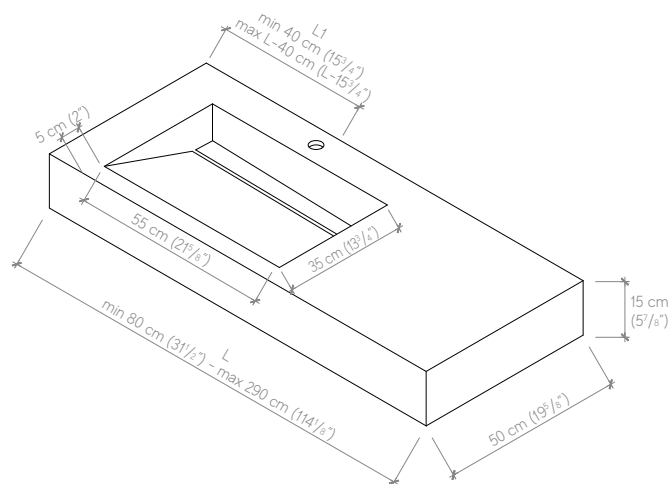
THE BENEFITS OF CERAMIC TILES



# Product Range

## SINGLE WALL-MOUNTED SINK

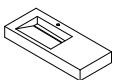
Lavabo da parete singolo



Bottom tiling is not provided  
Non è previsto il rivestimento inferiore

DIMENSIONS / Dimensioni
Customisable length L / Lunghezza personalizzabile L
Depth 50 cm (19 5/8") / Profondità 50 cm
Height 15 cm (5 7/8") / Altezza 15 cm
STRUCTURE / Struttura
Reinforcement: continuous panel / Rinforzo: pannello continuo
Brackets: stainless steel with holes Ø 10 mm (3/8") Staffe: acciaio inossidabile con fori Ø 10 mm
BASIN / Vasca
Dimension 55x35 cm (21 5/8" x 13 3/4") / Dimensione 55x35 cm
Stainless steel, with porcelain tiling in single sloped pitch Acciaio inossidabile, rivestita in gres porcellanato a singola falda inclinata
Customisable off-centre L1 / Decentramento personalizzabile L1
Overflow hole not present / Foro troppo pieno non presente
Drain diameter: 1 1/4" (drain not included) / Diametro piletta: 1 1/4" (piletta non inclusa)
Distance between drain hole and wall: approx. 14.3 cm (5 5/8") Interasse scarico da foro piletta - parete: 14,3 cm ca.
FAUCET AND FITTING HOLES / Fori rubinetteria
Ø 35 mm (1 3/8") / Ø 35 mm
Faucet hole always centred with the basin / Foro rubinetto sempre centrato rispetto alla vasca
LOOKS, COLORS AND FINISHES / Look, colori e finiture
Looks, colors and finishes chart from page 80 to 85 of the catalogue Tabella look, colori e finiture da pagina 80 a 85 del catalogo
WEIGHT AND PACKAGING / Peso ed Imballo
Specific features for each request / Caratteristiche specifiche per ogni richiesta
Supplied with brackets / Forniti con staffe
Supplied with case packaging / Forniti con imballo in cassa

CE EN 14688

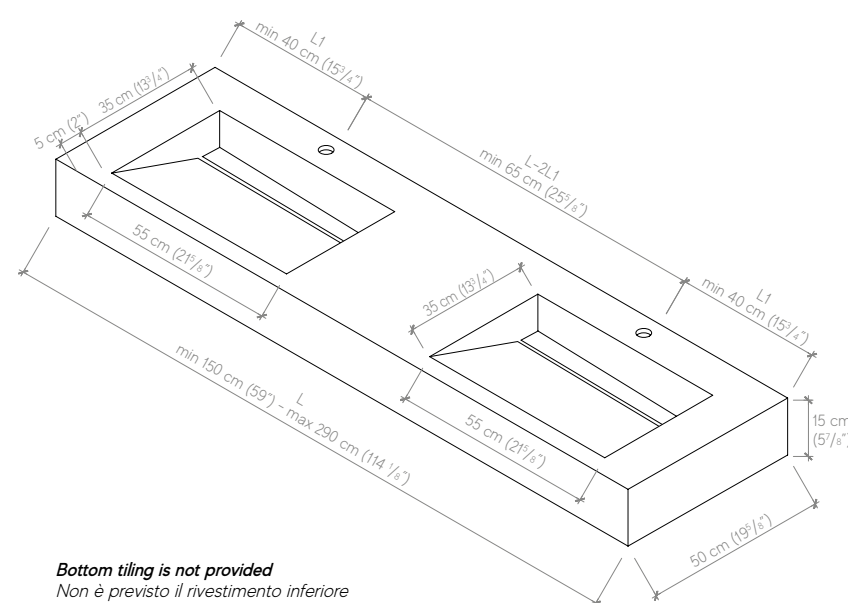
Model Modello	Starting slab Lastra di partenza	Range A L = 80-119 cm L = 31 1/2" - 46 7/8"	Range B L = 120-149 cm L = 47 1/4" - 58 3/8"	Range C L = 150-209 cm L = 59" - 82 1/4"	Range D L = 210-249 cm L = 82 5/8" - 98"	Range E L = 250-290 cm L = 98 5/8" - 114 1/8"
 <b>SINGLE WALL-MOUNTED SINK</b> Lavabo da parete singolo	75x150-9mm (29 1/2"x59"-3 1/8")	✓				
	120x240-9mm (47 1/4"x94 1/2"-3 1/8")	✓	✓	✓		
	120x278-6mm (47 1/4"x109 1/2"-1 1/4")	✓	✓	✓	✓	
	162x324-12mm (63 3/4"x127 1/2"-3 1/2")	✓	✓	✓	✓	✓

CUSTOMISABLE PARAMETERS / Parametri personalizzabili
Collection / Collezione
Color / Colore
Finishing / Finitura
Length L (cm) / Lunghezza L (cm)
Basin centre distance L1 (cm)* / Distanza centro vasca L1 (cm)*
Faucet hole (with or without) / Foro miscelatore (con o senza)

\*L1 distance from centre of basin to edge of short left side  
\*L1 distanza centro vasca-bordo lato corto sinistro

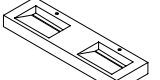
## TWIN WALL-MOUNTED SINK

Lavabo da parete doppio



Bottom tiling is not provided  
Non è previsto il rivestimento inferiore

CE EN 14688

Model Modello	Starting slab Lastra di partenza	Range A L = 80-119 cm L = 31 1/2" - 46 7/8"	Range B L = 120-149 cm L = 47 1/4" - 58 3/8"	Range C L = 150-209 cm L = 59" - 82 1/4"	Range D L = 210-249 cm L = 82 5/8" - 98"	Range E L = 250-290 cm L = 98 5/8" - 114 1/8"
 <b>TWIN WALL-MOUNTED SINK</b> Lavabo da parete doppio	75x150-9mm (29 1/2"x59"-3 1/8")					
	120x240-9mm (47 1/4"x94 1/2"-3 1/8")			✓		
	120x278-6mm (47 1/4"x109 1/2"-1 1/4")			✓	✓	
	162x324-12mm (63 3/4"x127 1/2"-3 1/2")			✓	✓	✓

DIMENSIONS / Dimensioni
Customisable length L / Lunghezza personalizzabile L
Depth 50 cm (19 5/8") / Profondità 50 cm
Height 15 cm (5 7/8") / Altezza 15 cm
STRUCTURE / Struttura
Reinforcement: continuous panel / Rinforzo: pannello continuo
Brackets: stainless steel with holes Ø 10 mm (3/8") Staffe: acciaio inossidabile con fori Ø 10 mm
BASIN / Vasca
Dimension 55x35 cm (21 5/8" x 13 3/4") / Dimensione 55x35 cm
Stainless steel, with porcelain tiling in single sloped pitch Acciaio inossidabile, rivestita in gres porcellanato a singola falda inclinata
Customisable off-centre L1 / Decentramento personalizzabile L1
Minimum distance from basin centre to left-hand edge approx. 40 cm (15 1/4") Distanza minima da centro vasca a bordo sinistro 40 cm ca.
Minimum distance from basin-to-basin centre approx. 65 cm (25 5/8") Distanza minima da centro vasca a centro vasca 65 cm ca.
Overflow hole not present / Foro troppo pieno non presente
Drain diameter: 1 1/4" (drain not included) / Diametro piletta: 1 1/4" (piletta non inclusa)
Distance between drain hole and wall: approx. 14.3 cm (5 5/8") Interasse scarico da foro piletta - parete: 14,3 cm ca.
FAUCET AND FITTING HOLES / Fori rubinetteria
Ø 35 mm (1 3/8") / Ø 35 mm
Faucet hole always centred with the basin / Foro rubinetto sempre centrato rispetto alla vasca
LOOKS, COLORS AND FINISHES / Look, colori e finiture
Looks, colors and finishes chart from page 80 to 85 of the catalogue Tabella look, colori e finiture da pagina 80 a 85 del catalogo
WEIGHT AND PACKAGING / Peso ed Imballo
Specific features for each request / Caratteristiche specifiche per ogni richiesta
Supplied with brackets / Forniti con staffe
Supplied with case packaging / Forniti con imballo in cassa

CUSTOMISABLE PARAMETERS / Parametri personalizzabili
Collection / Collezione
Color / Colore
Finishing / Finitura
Length L (cm) / Lunghezza L (cm)
Basin centre distance L1 (cm)* / Distanza centro vasca L1 (cm)*
Faucet holes (with or without) / Fori miscelatore (con o senza)

\*L1 distance from centre of basin to edge of short side  
\*L1 distanza centro vasca-bordo lato corto

INDEX



OVERVIEW



PRODUCT GALLERY



PRODUCT RANGE & TECHNICAL SPECS.



TECHNICAL FEATURES

PRODUCT RANGE

LOOKS, COLORS AND FINISHES

CLEANING AND MAINTENANCE

SUSTAINABILITY

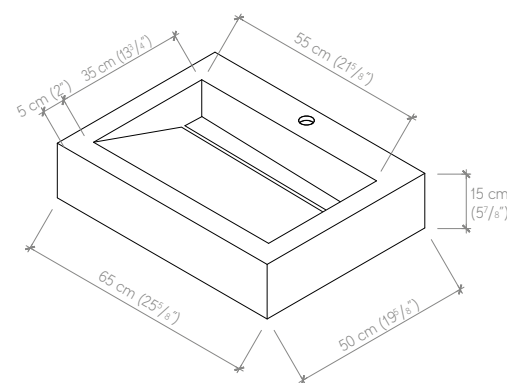


THE BENEFITS OF CERAMIC TILES



## SIT-ON BASIN

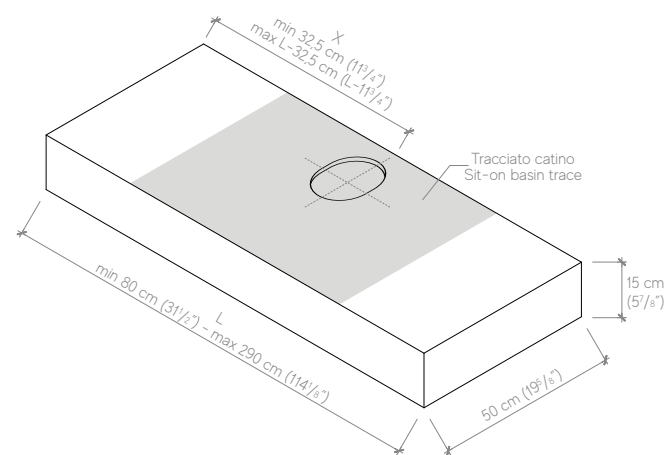
### Catino da appoggio



Back and bottom tiling is not provided  
Non è previsto il rivestimento posteriore e inferiore

<b>FIXED DIMENSIONS / Dimensioni fisse</b>
Length 65 cm (25 5/8") / Lunghezza 65 cm
Depth 50 cm (19 3/8") / Profondità 50 cm
Height 15 cm (5 7/8") / Altezza 15 cm
<b>STRUCTURE / Struttura</b>
Reinforcement: continuous panel / Rinforzo: pannello continuo
<b>BASIN / Vasca</b>
Dimension 55x35 cm (21 5/8" x 13 3/4") / Dimensione 55x35 cm
Stainless steel, with porcelain tiling in single sloped pitch Acciaio inossidabile, rivestita in gres porcellanato a singola falda inclinata
Overflow hole not present / Foro troppo pieno non presente
Drain diameter: 1 1/4" (drain not included) / Diametro piletta: 1 1/4" (piletta non inclusa)
Distance between drain hole and wall: approx. 14.3 cm (5 5/8") with or without faucet hole Interasse scarico da foro piletta - parete: 14,3 cm ca, con o senza foro rubinetteria
<b>FAUCET AND FITTING HOLES / Fori rubinetteria</b>
Ø 35 mm (1 3/8") / Ø 35 mm
Faucet hole always centred with the basin / Foro rubinetto sempre centrato rispetto alla vasca
<b>LOOKS, COLORS AND FINISHES / Look, colori e finiture</b>
Looks, colors and finishes chart from page 80 to 85 of the catalogue Tabella look, colori e finiture da pagina 80 a 85 del catalogo
<b>WEIGHT AND PACKAGING / Peso ed Imballo</b>
Specific features for each request / Caratteristiche specifiche per ogni richiesta
Supplied with case packaging / Forniti con imballo in cassa

## TOP\*

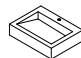


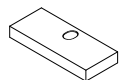
Bottom tiling is not provided  
Non è previsto il rivestimento inferiore

\*NOTE: TOP can only be ordered in combination with sit-on basin 65x50x15  
\*NOTA: Il TOP è ordinabile solo insieme al catino d'appoggio 65x50x15

<b>DIMENSIONS / Dimensioni</b>
Customisable length L / Lunghezza personalizzabile L
Depth 50 cm (19 3/8") / Profondità 50 cm
Height 15 cm (5 7/8") / Altezza 15 cm
<b>STRUCTURE / Struttura</b>
Reinforcement: continuous panel / Rinforzo: pannello continuo
Brackets: stainless steel with holes Ø 10 mm (3/8") Staffe: acciaio inossidabile con fori Ø 10 mm
<b>BASIN HOLE / Foro catino</b>
Customisable sit-on basin position X / Posizione catino personalizzabile X
<b>LOOKS, COLORS AND FINISHES / Look, colori e finiture</b>
Looks, colors and finishes chart from page 80 to 85 of the catalogue Tabella look, colori e finiture da pagina 80 a 85 del catalogo
<b>WEIGHT AND PACKAGING / Peso ed Imballo</b>
Specific characteristics of each request / Caratteristiche specifiche per ogni richiesta
Supplied with brackets / Forniti con staffe
Supplied with case packaging / Forniti con imballo in cassa



Model Modello	Starting slab Lastra di partenza	Range A L = 65 cm L = 25 5/8"
 <b>SIT-ON BASIN</b> Catino da appoggio	75x150-9mm (29 1/2"x59"-3 1/8")	✓
	120x240-9mm (47 1/4"x94 1/2"-3 1/8")	✓
	120x278-6mm (47 1/4"x109 1/2"-1 1/4")	✓
	162x324-12mm (63 3/4"x127 1/2"-1 1/2")	✓

Model Modello	Starting slab Lastra di partenza	Range A L = 80-119 cm L = 31 1/2" - 46 7/8"	Range B L = 120-149 cm L = 47 1/4" - 58 3/8"	Range C L = 150-209 cm L = 59" - 82 1/4"	Range D L = 210-249 cm L = 82 5/8" - 98"	Range E L = 250-290 cm L = 98 5/8" - 114 1/8"
 <b>TOP</b> Top	75x150-9mm (29 1/2"x59"-3 1/8")	✓				
	120x240-9mm (47 1/4"x94 1/2"-3 1/8")	✓	✓	✓		
	120x278-6mm (47 1/4"x109 1/2"-1 1/4")	✓	✓	✓	✓	
	162x324-12mm (63 3/4"x127 1/2"-1 1/2")	✓	✓	✓	✓	✓

<b>CUSTOMISABLE PARAMETERS / Parametri personalizzabili</b>
Collection / Collezione
Color / Colore
Finishing / Finitura
Faucet Hole (with or without) / Foro miscelatore (con o senza)

<b>CUSTOMISABLE PARAMETERS / Parametri personalizzabili</b>
Collection / Collezione
Color / Colore
Finishing / Finitura
Length L (cm) / Lunghezza L (cm)
Basin distance X (cm)* / Distanza catino X (cm)*

\*X distance from centre of basin to left edge / \*X distanza centro catino-bordo sx

INDEX



OVERVIEW



PRODUCT GALLERY



PRODUCT RANGE & TECHNICAL SPECS.



TECHNICAL FEATURES

PRODUCT RANGE

LOOKS, COLORS AND FINISHES

CLEANING AND MAINTENANCE

SUSTAINABILITY

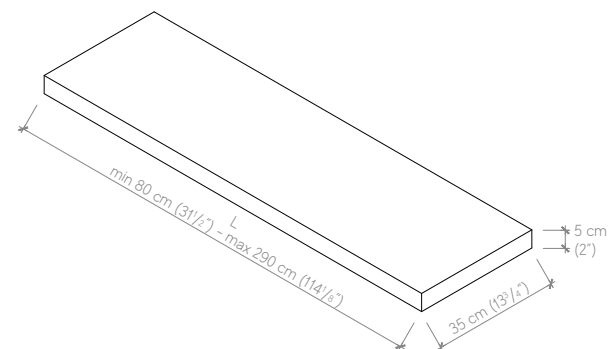


THE BENEFITS OF CERAMIC TILES





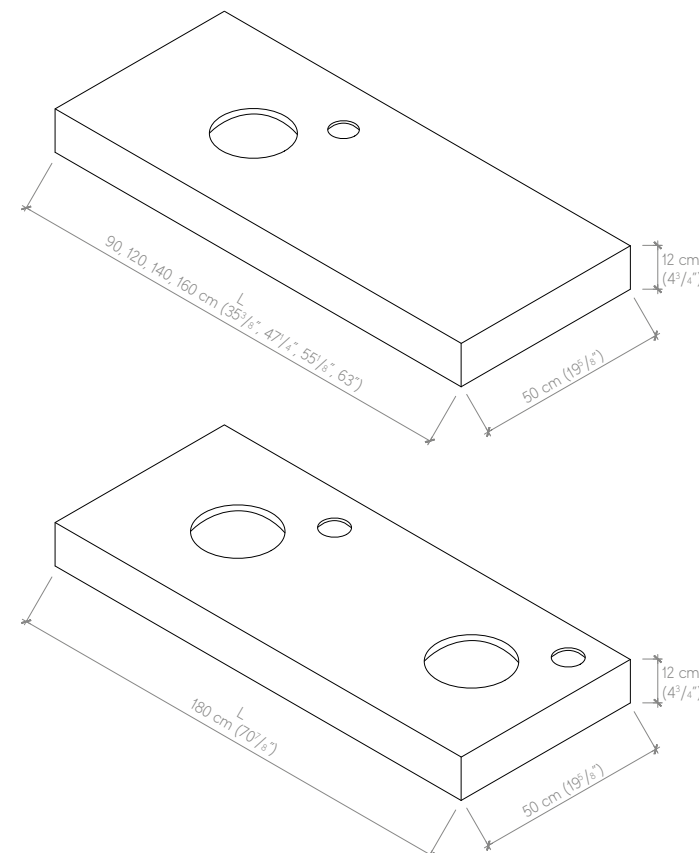
## SHELF Mensola



Bottom tiling is not provided  
Non è previsto il rivestimento inferiore

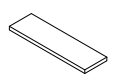
DIMENSIONS / Dimensioni
Customisable length L / Lunghezza personalizzabile L
Depth 35 cm (13 3/4") / Profondità 35 cm
Height 5 cm (2") / Altezza 5 cm
STRUCTURE / Struttura
Reinforcement: continuous panel / Rinforzo: pannello continuo
Brackets: stainless steel with holes Ø 10 mm (3/8") Staffe: acciaio inossidabile con fori Ø 10 mm
LOOKS, COLORS AND FINISHES / Look, colori e finiture
Looks, colors and finishes chart from page 80 to 85 of the catalogue Tabella look, colori e finiture da pagina 80 a 85 del catalogo
WEIGHT AND PACKAGING / Peso ed Imballo
Specific features for each request / Caratteristiche specifiche per ogni richiesta
Supplied with brackets / Forniti con staffe
Supplied with case packaging / Forniti con imballo in cassa

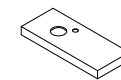
## MASTERTOP Mastertop



Bottom tiling is not provided  
Non è previsto il rivestimento inferiore

DIMENSIONS / Dimensioni
Length 90, 120, 140, 160, 180 cm (35 3/8", 47 1/4", 55 1/8", 63", 70 7/8") Lunghezza 90, 120, 140, 160, 180 cm
Depth 50 cm (19 3/4") / Profondità 50 cm
Height 12 cm (4 3/4") / Altezza 12 cm
STRUCTURE / Struttura
Reinforcement: continuous panel / Rinforzo: pannello continuo
Brackets: stainless steel with holes Ø 10 mm (3/8") Staffe: acciaio inossidabile con fori Ø 10 mm
FAUCET AND FITTING HOLES / Fori rubinetteria
Ø 35 mm (1 3/8") / Ø 35 mm
LOOKS, COLORS AND FINISHES / Look, colori e finiture
Looks, colors and finishes chart from page 80 to 85 of the catalogue Tabella look, colori e finiture da pagina 80 a 85 del catalogo
WEIGHT AND PACKAGING / Peso ed Imballo
Supplied with brackets / Forniti con staffe
Supplied with case packaging / Forniti con imballo in cassa

Model Modello	Starting slab Lastra di partenza	Range A L = 80-119 cm L = 31 1/2" - 46 7/8"	Range B L = 120-149 cm L = 47 1/4" - 58 7/8"	Range C L = 150-209 cm L = 59" - 82 1/4"	Range D L = 210-249 cm L = 82 3/8" - 98"	Range E L = 250-290 cm L = 98 3/8" - 114 1/8"	
	SHELF Mensola	75x150-9mm (29 1/2"x59"-3 1/8")	✓				
		120x240-9mm (47 1/4"x94 1/2"-3 1/8")	✓	✓	✓		
		120x278-6mm (47 1/4"x109 1/2"-1 1/4")	✓	✓	✓	✓	
		162x324-12mm (63 3/4"x127 1/2"-1 1/2")	✓	✓	✓	✓	✓

Model Modello	Starting slab Lastra di partenza	Mastertop L = 90, 120, 140, 160, 180 cm L = 35 3/8", 47 1/4", 55 1/8", 63", 70 7/8"	
	MASTERTOP Mastertop	75x150-9mm (29 1/2"x59"-3 1/8")	
		120x240-9mm (47 1/4"x94 1/2"-3 1/8")	
		120x278-6mm (47 1/4"x109 1/2"-1 1/4")	✓
		162x324-12mm (63 3/4"x127 1/2"-1 1/2")	

CUSTOMISABLE PARAMETERS / Parametri personalizzabili
Collection / Collezione
Color / Colore
Finishing / Finitura
Length L (cm) / Lunghezza L (cm)

CUSTOMISABLE PARAMETERS / Parametri personalizzabili
Diameter and position of the drain hole (or double hole for 180 cm (70 7/8") long model) Diametro e posizione del foro scarico (o doppio foro per modello lungo 180 cm)
Faucet hole position if necessary (or double hole for 180 cm (70 7/8") long model) Posizione foro miscelatore se necessario (o doppio foro per modello lungo 180 cm)

INDEX



OVERVIEW



PRODUCT  
GALLERY



PRODUCT  
RANGE &  
TECHNICAL  
SPECS.



TECHNICAL FEATURES

PRODUCT RANGE

LOOKS, COLORS AND FINISHES

CLEANING AND MAINTENANCE

SUSTAINABILITY



THE BENEFITS OF  
CERAMIC TILES



# Looks, colors and finishes

Stone Look →	Range A L = 80-119 cm L = 31 1/2" - 46 1/8"	Range B L = 120-149 cm L = 47 1/4" - 58 3/8"	Range C L = 150-209 cm L = 59" - 82 1/4"	Range D L = 210-249 cm L = 82 3/8" - 98"	Range E L = 250-290 cm L = 98 3/8" - 114 1/8"	Mastertop L = 90, 120, 140, 160, 180 cm L = 35 3/8", 47 1/4", 55 1/8", 63", 70 1/8"
Porcelain tiles						
WHITE - KONE	✓ Matte					
WHITE - BOOST STONE	✓ Matte	✓ Matte	✓ Matte	✓ Matte		✓ Matte
GYPSUM - KONE	✓ Hammered	✓ Hammered	✓ Hammered	✓ Hammered	✓ Hammered	
IVORY - BOOST STONE	✓ Matte, Hammered	✓ Matte, Hammered	✓ Matte, Hammered	✓ Matte, Hammered	✓ Hammered	✓ Matte
IVORY - LIMS	✓ Matte	✓ Matte	✓ Matte	✓ Matte		
IVORY - BOOST MIX	✓ Matte	✓ Matte	✓ Matte	✓ Matte		✓ Matte
CREAM - BOOST STONE	✓ Matte	✓ Matte	✓ Matte	✓ Matte		✓ Matte
GREY - LIMS	✓ Matte	✓ Matte	✓ Matte	✓ Matte		
BEIGE - KONE	✓ Matte					
BEIGE - LIMS	✓ Matte	✓ Matte	✓ Matte	✓ Matte		
DESERT - LIMS	✓ Matte	✓ Matte	✓ Matte	✓ Matte		
CLAY - BOOST STONE	✓ Matte	✓ Matte	✓ Matte	✓ Matte		✓ Matte
DESERT BEIGE - MARVEL STONE	✓ Matte					
WHITE - KLIF	✓ Matte					
GYPSUM - BRAVE	✓ Matte					
SILVER - KONE	✓ Matte					
CLAUZETTO WHITE - MARVEL STONE	✓ Matte	✓ Matte	✓ Matte			
PEARL - BOOST STONE	✓ Matte	✓ Matte	✓ Matte	✓ Matte		✓ Matte
PEARL - BRAVE	✓ Matte					
SILVER - KLIF	✓ Matte					
PEARL - KONE	✓ Matte					
MIX - KONE	✓ Matte, Hammered	✓ Hammered	✓ Hammered	✓ Hammered	✓ Hammered	
PEARL - BOOST MIX	✓ Matte	✓ Matte	✓ Matte	✓ Matte		✓ Matte
GREY - BOOST STONE	✓ Matte	✓ Matte	✓ Matte	✓ Matte		✓ Matte
GREY - KLIF	✓ Matte					
SMOKE - BOOST STONE	✓ Matte	✓ Matte	✓ Matte	✓ Matte		✓ Matte

Stone Look →	Range A L = 80-119 cm L = 31 1/2" - 46 1/8"	Range B L = 120-149 cm L = 47 1/4" - 58 3/8"	Range C L = 150-209 cm L = 59" - 82 1/4"	Range D L = 210-249 cm L = 82 3/8" - 98"	Range E L = 250-290 cm L = 98 3/8" - 114 1/8"	Mastertop L = 90, 120, 140, 160, 180 cm L = 35 3/8", 47 1/4", 55 1/8", 63", 70 1/8"
Porcelain tiles						
GRIGIO - DOLMEN PRO	✓ Flamed	✓ Flamed	✓ Flamed	✓ Flamed	✓ Flamed	
CARDOSO ELEGANT - MARVEL STONE	✓ Matte	✓ Matte	✓ Matte			
SMOKE - BOOST MIX	✓ Matte	✓ Matte	✓ Matte	✓ Matte		✓ Matte
EARTH - BRAVE	✓ Matte					
TAUPE - BOOST STONE	✓ Matte	✓ Matte	✓ Matte	✓ Matte		✓ Matte
TOBACCO - BOOST STONE	✓ Matte	✓ Matte	✓ Matte	✓ Matte		✓ Matte
GREY - BRAVE	✓ Matte					
GREY - KONE	✓ Matte, Hammered	✓ Hammered	✓ Hammered	✓ Hammered	✓ Hammered	
SOAPSTONE DARK - ATLASPLAN	✓ Hammered	✓ Hammered	✓ Hammered	✓ Hammered	✓ Hammered	
BASALTINA VOLCANO - MARVEL STONE	✓ Matte, Hammered	✓ Matte, Hammered	✓ Matte, Hammered	✓ Hammered	✓ Hammered	
TARMAC - BOOST STONE	✓ Matte	✓ Matte	✓ Matte	✓ Matte		✓ Matte
COKE - BRAVE	✓ Matte					
DARK - KLIF	✓ Matte					
NERO ZIMBABWE - MARVEL STONE	✓ Flamed	✓ Flamed	✓ Flamed	✓ Flamed	✓ Flamed	
BLACK LAVA - ATLASPLAN	✓ Leaded	✓ Leaded	✓ Leaded	✓ Leaded	✓ Leaded	

INDEX



OVERVIEW



PRODUCT GALLERY



PRODUCT RANGE & TECHNICAL SPECS.



TECHNICAL FEATURES

PRODUCT RANGE

LOOKS, COLORS AND FINISHES

CLEANING AND MAINTENANCE

SUSTAINABILITY



THE BENEFITS OF CERAMIC TILES



Concrete + Resin Look →	Range A L 80-119 cm L 31 1/2" - 46 1/8"	Range B L 120-149 cm L 47 1/4" - 58 3/8"	Range C L 150-209 cm L 59" - 82 1/4"	Range D L 210-249 cm L 82 3/8" - 98"	Range E L 250-290 cm L 98 3/8" - 114 1/8"	Mastertop L = 90, 120, 140, 160, 180 cm L = 35 1/8", 47 1/4", 55 1/8", 63", 70 1/8"
	Porcelain tiles					
<b>COTTON</b> - PRISM	✓ Matte	✓ Matte	✓ Matte	✓ Matte	✓ Matte	✓ Matte
<b>IVORY</b> - BOOST PRO	✓ Matte	✓ Matte	✓ Matte	✓ Matte	✓ Matte	✓ Matte
<b>KAOLIN</b> - BOOST NATURAL	✓ Matte	✓ Matte	✓ Matte	✓ Matte	✓ Matte	✓ Matte
<b>CORD</b> - PRISM	✓ Matte	✓ Matte	✓ Matte	✓ Matte	✓ Matte	✓ Matte
<b>WHITE</b> - BOOST	✓ Matte, Hammered	✓ Matte, Hammered	✓ Matte, Hammered	✓ Matte, Hammered	✓ Matte, Hammered	✓ Matte
<b>ASH</b> - BOOST NATURAL	✓ Matte	✓ Matte	✓ Matte	✓ Matte	✓ Matte	✓ Matte
<b>CREAM</b> - BOOST PRO	✓ Matte	✓ Matte	✓ Matte	✓ Matte	✓ Matte	✓ Matte
<b>CLOUD</b> - PRISM	✓ Matte	✓ Matte	✓ Matte	✓ Matte	✓ Matte	✓ Matte
<b>PEARL</b> - BOOST	✓ Matte	✓ Matte	✓ Matte	✓ Matte	✓ Matte	✓ Matte
<b>GREY</b> - BOOST	✓ Matte, Hammered	✓ Matte, Hammered	✓ Matte, Hammered	✓ Matte, Hammered	✓ Matte, Hammered	✓ Matte
<b>FOG</b> - PRISM	✓ Matte	✓ Matte	✓ Matte	✓ Matte	✓ Matte	✓ Matte
<b>COBALT</b> - BOOST NATURAL	✓ Matte	✓ Matte	✓ Matte	✓ Matte	✓ Matte	✓ Matte
<b>CLAY</b> - BOOST PRO	✓ Matte	✓ Matte	✓ Matte	✓ Matte	✓ Matte	✓ Matte
<b>ECRU</b> - BOOST NATURAL	✓ Matte, Hammered	✓ Matte, Hammered	✓ Matte, Hammered	✓ Matte, Hammered	✓ Hammered	✓ Matte
<b>CORAL</b> - BOOST NATURAL	✓ Matte	✓ Matte	✓ Matte	✓ Matte	✓ Matte	✓ Matte
<b>TAUPE</b> - BOOST PRO	✓ Matte	✓ Matte	✓ Matte	✓ Matte	✓ Matte	✓ Matte
<b>SUEDE</b> - PRISM	✓ Matte	✓ Matte	✓ Matte	✓ Matte	✓ Matte	✓ Matte
<b>UMBER</b> - BOOST NATURAL	✓ Matte	✓ Matte	✓ Matte	✓ Matte	✓ Matte	✓ Matte
<b>COAL</b> - BOOST NATURAL	✓ Matte	✓ Matte	✓ Matte	✓ Matte	✓ Matte	✓ Matte
<b>SMOKE</b> - BOOST	✓ Matte, Hammered	✓ Matte, Hammered	✓ Matte, Hammered	✓ Matte, Hammered	✓ Matte, Hammered	✓ Matte
<b>TOBACCO</b> - BOOST PRO	✓ Matte	✓ Matte	✓ Matte	✓ Matte	✓ Matte	✓ Matte
<b>TARMAC</b> - BOOST	✓ Matte, Hammered	✓ Matte, Hammered	✓ Matte, Hammered	✓ Matte, Hammered	✓ Matte, Hammered	✓ Matte
<b>GRAPHITE</b> - PRISM	✓ Matte	✓ Matte	✓ Matte	✓ Matte	✓ Matte	✓ Matte

Metal Look →	Range A L 80-119 cm L 31 1/2" - 46 1/8"	Range B L 120-149 cm L 47 1/4" - 58 3/8"	Range C L 150-209 cm L 59" - 82 1/4"	Range D L 210-249 cm L 82 3/8" - 98"	Range E L 250-290 cm L 98 3/8" - 114 1/8"	Mastertop L = 90, 120, 140, 160, 180 cm L = 35 1/8", 47 1/4", 55 1/8", 63", 70 1/8"
	Porcelain tiles					
<b>ALUMINIUM</b> - BLAZE	✓ Polished, Matte	✓ Matte	✓ Matte	✓ Matte		
<b>CORTEN</b> - BLAZE	✓ Polished, Matte	✓ Matte	✓ Matte	✓ Matte		✓ Matte
<b>IRON</b> - BLAZE	✓ Polished, Matte	✓ Matte	✓ Matte	✓ Matte	✓ Matte	

Solid Look →	Range A L 80-119 cm L 31 1/2" - 46 1/8"	Range B L 120-149 cm L 47 1/4" - 58 3/8"	Range C L 150-209 cm L 59" - 82 1/4"	Range D L 210-249 cm L 82 3/8" - 98"	Range E L 250-290 cm L 98 3/8" - 114 1/8"	Mastertop L = 90, 120, 140, 160, 180 cm L = 35 1/8", 47 1/4", 55 1/8", 63", 70 1/8"
	Porcelain tiles					
<b>ABSOLUTE WHITE</b> - MARVEL EDGE	✓ Polished, Silk, Matte	✓ Polished, Silk, Matte	✓ Polished, Silk, Matte	✓ Polished, Silk, Matte	✓ Polished, Silk, Matte	
<b>ABSOLUTE BLACK</b> - MARVEL EDGE	✓ Silk	✓ Silk	✓ Silk	✓ Silk	✓ Silk	



Marble Look →	Range A L 80-119 cm L 31 1/2" - 46 1/8"	Range B L 120-149 cm L 47 1/4" - 58 5/8"	Range C L 150-209 cm L 59" - 82 1/4"	Range D L 210-249 cm L 82 5/8" - 98"	Range E L 250-290 cm L 98 5/8" - 114 1/8"	Mastertop L = 90, 120, 140, 160, 180 cm L = 35 1/2", 47 1/4", 55 1/8", 63", 70 1/8"
Porcelain tiles						
CARRARA PURE - MARVEL STONE	✓ Polished, Matte	✓ Polished, Matte	✓ Polished, Matte	✓ Polished, Matte		✓ Polished, Matte
CALACATTA EXTRA - MARVEL	✓ Polished, Silk, Matte	✓ Polished, Silk, Matte	✓ Polished, Silk, Matte	✓ Polished, Silk, Matte	✓ Polished, Silk, Matte	✓ Polished, Matte
BIANCO DOLOMITE - MARVEL STONE	✓ Polished, Matte	✓ Polished, Matte	✓ Polished, Matte	✓ Polished, Matte	✓ Polished	✓ Polished, Matte
CALACATTA DELICATO - MARVEL SHINE	✓ Polished, Silk	✓ Polished, Silk	✓ Polished, Silk	✓ Polished, Silk	✓ Silk	✓ Polished
CALACATTA APUANO - MARVEL X	✓ Polished, Silk	✓ Polished, Silk	✓ Polished, Silk	✓ Polished, Silk	✓ Polished	✓ Polished, Silk
CALACATTA PRESTIGIO - MARVEL SHINE	✓ Polished, Silk	✓ Polished, Silk	✓ Polished, Silk	✓ Polished, Silk	✓ Polished, Silk	✓ Polished, Silk
CALACATTA IMPERIALE - MARVEL SHINE	✓ Polished, Silk, Satin	✓ Polished, Silk, Satin	✓ Polished, Silk, Satin	✓ Polished, Silk, Satin	✓ Polished, Silk, Satin	✓ Polished
CALACATTA ANTIQUE - ATLASPLAN	✓ Polished	✓ Polished	✓ Polished	✓ Polished	✓ Polished	
STATUARIO SUPREMO - MARVEL SHINE	✓ Polished, Silk, Satin	✓ Polished, Silk, Satin	✓ Polished, Silk, Satin	✓ Polished, Silk, Satin	✓ Polished, Silk, Satin	✓ Polished, Silk
STATUARIO SELECT - MARVEL PRO	✓ Polished	✓ Polished	✓ Polished	✓ Polished		
ROYAL CALACATTA - MARVEL EDGE	✓ Polished	✓ Polished	✓ Polished	✓ Polished	✓ Polished	
CALACATTA PERLA - MARVEL X	✓ Polished, Silk	✓ Polished, Silk	✓ Polished, Silk	✓ Polished, Silk		✓ Polished
CREMO DELICATO - MARVEL PRO	✓ Polished, Matte	✓ Polished, Matte	✓ Polished, Matte	✓ Polished, Matte		✓ Polished, Matte
BIANCO FANTASTICO - MARVEL DREAM	✓ Polished, Matte	✓ Polished, Matte	✓ Polished, Matte	✓ Polished, Matte		
IMPERIAL WHITE - MARVEL EDGE	✓ Polished					
TRAVERTINO WHITE VEIN MARVEL TRAVERTINE	✓ Matte	✓ Matte	✓ Matte	✓ Matte		✓ Matte
CHAMPAGNE ONYX - MARVEL	✓ Polished					
TRAVERTINO ALABASTRINO - MARVEL PRO	✓ Polished					
GOLD ONYX - MARVEL EDGE	✓ Polished					
TRAVERTINO SAND VEIN MARVEL TRAVERTINE	✓ Matte, Hammered	✓ Matte, Hammered	✓ Matte, Hammered	✓ Matte, Hammered	✓ Matte, Hammered	✓ Matte
CREAM PRESTIGE - MARVEL STONE	✓ Polished, Silk	✓ Silk	✓ Silk	✓ Silk	✓ Silk	
TRAVERTINO PEARL VEIN MARVEL TRAVERTINE	✓ Matte, Hammered	✓ Matte, Hammered	✓ Matte, Hammered	✓ Matte, Hammered	✓ Matte, Hammered	✓ Matte
ELEGANT SABLE - MARVEL EDGE	✓ Polished					
ABSOLUTE BROWN - MARVEL EDGE	✓ Polished	✓ Polished	✓ Polished	✓ Polished		
GRIS SUPREME - MARVEL EDGE	✓ Polished					
TRAVERTINO SILVER - MARVEL PRO	✓ Polished					

Marble Look →	Range A L 80-119 cm L 31 1/2" - 46 1/8"	Range B L 120-149 cm L 47 1/4" - 58 5/8"	Range C L 150-209 cm L 59" - 82 1/4"	Range D L 210-249 cm L 82 5/8" - 98"	Range E L 250-290 cm L 98 5/8" - 114 1/8"	Mastertop L = 90, 120, 140, 160, 180 cm L = 35 1/2", 47 1/4", 55 1/8", 63", 70 1/8"
Porcelain tiles						
GREY FLEURY - MARVEL PRO	✓ Polished, Matte	✓ Polished, Matte	✓ Polished, Matte	✓ Polished, Matte		✓ Polished, Matte
FIOR DI BOSCO - MARVEL X	✓ Polished, Silk	✓ Polished, Silk	✓ Polished, Silk	✓ Polished, Silk		✓ Polished
GREY CLOUD - MARVEL X	✓ Polished, Silk	✓ Polished, Silk	✓ Polished, Silk	✓ Polished, Silk		✓ Polished
WHITE CLOUD - ATLASPLAN	✓ Silk	✓ Silk	✓ Silk	✓ Silk	✓ Silk	
BARDIGLIO GREY - MARVEL STONE	✓ Polished					
LIGHT GREY STONE - ATLASPLAN	✓ Silk	✓ Silk	✓ Silk	✓ Silk	✓ Silk	
MORNING SKY - MARVEL DREAM	✓ Polished, Matte					
GREY STONE - MARVEL	✓ Polished, Silk, Matte	✓ Polished, Silk, Matte	✓ Polished, Silk, Matte	✓ Polished, Silk, Matte	✓ Silk	✓ Polished, Matte
GRIGIO INTENSO - MARVEL DREAM	✓ Polished, Silk, Matte	✓ Polished, Silk	✓ Polished, Silk	✓ Polished, Silk	✓ Polished, Silk	
CALACATTA BLACK - MARVEL GALA	✓ Polished	✓ Polished	✓ Polished	✓ Polished		✓ Polished
NOIR ST. LAURENT - MARVEL PRO	✓ Polished					
NERO MARQUINA - MARVEL STONE	✓ Polished, Silk, Satin	✓ Polished, Silk, Satin	✓ Polished, Silk, Satin	✓ Polished, Silk, Satin	✓ Polished, Silk, Satin	
BLACK ATLANTIS - MARVEL DREAM	✓ Polished, Silk, Matte	✓ Polished, Silk, Matte	✓ Polished, Silk, Matte	✓ Polished, Silk, Matte	✓ Silk	✓ Polished, Matte
CRYSTAL WHITE - MARVEL GALA	✓ Polished, Silk	✓ Polished, Silk	✓ Polished, Silk	✓ Polished, Silk	✓ Polished, Silk	✓ Polished
DESERT SOUL - MARVEL GALA	✓ Polished, Silk	✓ Polished, Silk	✓ Polished, Silk	✓ Polished, Silk	✓ Polished, Silk	✓ Polished
AGATA AZUL - MARVEL EDGE	✓ Polished					
CRYSTAL BEAUTY - MARVEL DREAM	✓ Polished					
RED LUXURY - MARVEL EDGE	✓ Polished					
ULTRAMARINE - MARVEL DREAM	✓ Polished	✓ Polished	✓ Polished	✓ Polished		✓ Polished
BRAZIL GREEN - MARVEL DREAM	✓ Polished					



# Cleaning and maintenance

**SANITIZING**

Porcelain tiles surfaces are extremely easy to sanitize, owing to the physical and mechanical features of this material. Indeed, since they are produced at extremely high temperatures, they prove entirely poreless, which prevents mold, mildew and bacteria from spreading. This means sanitizing products or products with a specific concentration of chemicals capable of eradicating germs and bacteria from surfaces can easily be used, for optimum efficiency and without worrying about damaging the material itself.

**ROUTINE CLEANING**

For routine cleaning, simply use a damp sponge or a microfiber cloth with hot water and ordinary neutral detergent\* then wipe dry with a soft cloth. To remove dirt built up in the corners, we recommend you rub with a nonabrasive soft bristle brush. Avoid using:

- Products with waxing, restoring, polishing, brightening properties;
- Products containing hydrofluoric acid and its derivatives;
- Metal wire pads (iron and steel pads) or excessively abrasive pads.

**CAUTION: Porcelain tiles do not require the application of waxes or detergents with polishing additives, even when the surface is glossy/lapped.**

Cleaning and maintenance

\*such as **Clean Universal** made by **Faber Chimica** or **Fila Clean&Shine** for the Italian market - **Fila Cleanall** for the **US** market - **Fila Brio for all other markets**.

**EXTRAORDINARY CLEANING**

In the event of tough stains, which cannot be removed during routine cleaning operations, we suggest the use of alkaline detergents\* for coffee, fruit juice, wine, ink stains and the like, acidic detergents\*\* in the event of limescale residue (or rust), use specific detergents to remove silicone sealant residue\*\*\*

Cleaning and maintenance

\*such as **Clean Degreaser - Deep Degreaser** made by **Faber Chimica** or **Fila Powerclean** for the Italian market - **Fila Hobby** for other markets.
\*\*such as **Clean Limescale - Tile Cleaner** made by **Faber Chimica** or **Fila Deepclean** for the Italian market - **Fila Via Bagno** for other markets.
\*\*\*such as **Epoxy Cleaner** made by **Faber Chimica** or **Fila Zerosil**.

**STEEL SURFACES**

Stainless steel is an extremely strong material and is not subject to the corrosive action of oxidation. However, specific products should be used for cleaning it.

In addition, to avoid damaging the surface, do not use:

- sponges or scourers that could cause irreversible scratches and abrasions;
- aggressive chemicals;
- cleaning products based on ammonia, bleach or chlorine.

*Cleaning and maintenance*

**IGIENIZZAZIONE**

Le superfici in gres porcellanato sono estremamente facili da igienizzare, grazie alle caratteristiche fisico-meccaniche di questo materiale. Infatti, essendo prodotta ad altissime temperature, risulta totalmente priva di pori, fatto che impedisce a muffe e batteri di proliferare. È possibile utilizzare pertanto senza problemi prodotti igienizzanti ossia con una determinata concentrazione di sostanze in grado di eliminare germi e batteri dalle superfici, con la massima efficacia e senza temere di rovinare il materiale stesso.

**PULIZIA ORDINARIA**

Per la pulizia quotidiana è sufficiente utilizzare una spugna inumidita o un panno in microfibra con acqua calda e un comune detergente neutro\* asciugando con un panno morbido. Per la rimozione di sporco accumulatosi negli angoli si suggerisce di strofinare con uno spazzolino con setole morbide non abrasive. Evitare l'utilizzo di:

- Prodotti con caratteristiche ceranti, ravvivanti, lucidanti, brillantanti;
- Prodotti che contengono acido fluoridrico e suoi derivati;
- Pagliette di metallo (spugnette di ferro e acciaio) o eccessivamente abrasive.

**ATTENZIONE: Il gres porcellanato non richiede l'applicazione di cere o di detergenti con additivi lucidanti anche quando ha una superficie lucida/lappata.**

Cleaning and maintenance

\*tipo **Clean Universal** della **Faber Chimica** oppure **Fila Clean&Shine per mercato IT - Fila Cleanall** per mercato **USA - Fila Brio per tutti gli altri mercati**.

**PULIZIA STRAORDINARIA**

Nel caso di macchie ostinate, non rimovibili con la pulizia ordinaria, si suggerisce di utilizzare detergenti a base alcalina\* per caffè, succhi di frutta, vino, inchiostro, ed etc...
detergenti a base acida\*\* nel caso di residui di calcare (o ruggine) utilizzare detergenti specifici per la rimozione di residui di sigillanti siliconici\*\*\*

Cleaning and maintenance

\*tipo **Clean Degreaser - Deep Degreaser** della **Faber Chimica** oppure **Fila Powerclean per mercato IT - Fila Hobby per gli altri mercati**.
\*\*tipo **Clean Limescale - Tile Cleaner** della **Faber Chimica** oppure **Fila Deepclean per il mercato IT - Fila Via Bagno per gli altri mercati**.
\*\*\*tipo **Epoxy Cleaner** della **Faber Chimica** oppure **Fila Zerosil**.

Cleaning and maintenance

**SUPERFICI IN ACCIAIO**

L'acciaio inox è un materiale estremamente resistente e non è soggetto all'azione corrosiva dell'ossidazione. Tuttavia per la pulizia è opportuno adoperare prodotti specifici.

Inoltre per evitare il danneggiamento della superficie non utilizzare:

- spugne o pagliette metalliche che potrebbero generare graffi ed abrasioni irreversibili;
- sostanze chimiche aggressive;
- prodotti per la pulizia a base di ammoniaca, candeggina o cloro.

*Cleaning and maintenance*

**NETTOYAGE**

Les surfaces en grès sont très faciles à nettoyer grâce aux caractéristiques physiques et mécaniques de ce matériau. En effet, étant produit à des températures très élevées, il n'a aucun pore ce qui empêche la prolifération des moisissures et des bactéries. Il est donc possible d'utiliser sans problème des produits de nettoyage, ou avec une concentration de substances déterminée, capables d'éliminer des germes et des bactéries des surfaces, avec une efficacité maximale et sans craindre de dégrader le matériau.

**NETTOYAGE ORDINAIRE**

Pour le nettoyage quotidien, il suffit d'utiliser une éponge humide ou un chiffon en microfibre avec de l'eau chaude et un détergent neutre\* courant puis d'essuyer avec un chiffon doux. Pour éliminer la saleté accumulée dans les coins, il est conseillé de frotter avec une petite brosse à poils doux non abrasifs. Éviter d'utiliser :

- Produits comme de la cire ou permettant d'éclaircir ou de faire briller le support ;
- Produits qui contiennent de l'acide fluorhydrique et ses dérivés ;
- Pailles métalliques (pailles et fer et d'acier) ou excessivement abrasives.

**ATTENTION : Le grès cérame ne nécessite pas l'application de cires ou de détergents avec des additifs permettant de faire briller même quand sa surface est brillante/demi-polie.**

Cleaning and maintenance

\*type **Clean Universal** de **Faber Chimica** ou **Fila Clean&Shine** pour le marché IT - **Fila Cleanall** pour le marché **USA - Fila Brio** pour tous les autres marchés.

**NETTOYAGE EXTRAORDINAIRE**

En cas de taches tenaces, impossibles à éliminer avec un nettoyage

ordinaire, il est conseillé d'utiliser des détergents alcalins\* pour le café, les jus de fruit, le vin, l'encre, etc.,
des détergents acides\*\* dans le cas de résidus de calcaire (ou de rouille) et d'utiliser des détergents spécifiques pour l'élimination de résidus de mastic à base de silicone\*\*\*.

Cleaning and maintenance

\*type **Clean Degreaser - Deep Degreaser** de **Faber Chimica** ou **Fila Powerclean** pour le marché IT - **Fila Hobby** pour les autres marchés.
\*\*type **Clean Limescale - Tile Cleaner** de **Faber Chimica** ou **Fila Deepclean** pour le marché IT - **Fila Via BAGNO** pour les autres marchés.
\*\*\*type **Epoxy Cleaner** de **Faber Chimica** ou **Fila Zerosil**.

Cleaning and maintenance

**SURFACES EN ACIER**

L'acier inoxydable est un matériau extrêmement résistant et n'est pas soumis à l'action corrosive de l'oxydation. Toutefois, pour son nettoyage, il faut utiliser des produits spécifiques.

En outre, afin d'éviter l'endommagement de la surface, ne pas utiliser de :

- éponges ou éponges métalliques, qui pourraient créer des rayures et abrasions irréversibles ;
- substances chimiques agressives ;
- produits d'entretien à base d'ammoniac, javel ou chlore.

*Cleaning and maintenance*

**HYGIENISIERUNG**

Feinsteinzeugoberflächen sind dank der physikalisch-mechanischen Eigenschaften dieses Materials extrem leicht zu desinfizieren. Da es bei sehr hohen Temperaturen hergestellt wird, ist es völlig porenfrei, was die Vermehrung von Schimmel und Bakterien verhindert. Aus diesem Grunde können auch spezifische Reinigungsmittel mit hygienisierenden Substanzen verwendet werden, die in der Lage sind, Keime und Bakterien von Oberflächen zu beseitigen, und zwar mit maximaler Wirksamkeit und ohne dass die Gefahr einer Beschädigung des Materials besteht.

**REGELMÄSSIGE REINIGUNG**

Für die tägliche Reinigung einfach einen feuchten Schwamm oder ein Mikrofasertuch mit warmem Wasser und einem handelsüblichen neutralen Reinigungsmittel\* verwenden und mit einem weichen Tuch abtrocknen. Zur Entfernung von Schmutz, der sich in den Ecken angesammelt hat, wird empfohlen, mit einer nicht scheuernden Bürste mit weichen Borsten zu reiben. Absolut zu vermeiden sind:

- Produkte mit Bodenwachs, Glanzmitteln, Poliermitteln usw.
- Produkte, die Fluorwasserstoffsäure und Derivate enthalten.
- Stahlwolle o.ä. oder zu stark scheuernde Schwämme.

**ACHTUNG: Feinsteinzeug erfordert keine Anwendung von Wachsen oder Reinigungsmitteln mit Polierzusätzen, auch wenn es eine polierte/geläppte Oberfläche hat.**

Cleaning and maintenance

\*Typ **Clean Universal** von **Faber Chimica** oder **Fila Clean&Shine** für den italienischen Markt - **Fila Cleanall** für den amerikanischen Markt - **Fila Brio** für alle anderen Märkte.

Cleaning and maintenance

**AUSSERGEWÖHNLICHE REINIGUNG**

Bei hartnäckigen Flecken, die sich durch normale Reinigung nicht entfernen lassen, wird die Verwendung von Reinigungsmitteln\* auf alkalischer Basis für Kaffee, Fruchtsäfte, Wein, Tinte usw. empfohlen, säurehaltige Reinigungsmittel\*\* bei Kalk- (oder Rost-) Rückständen, verwenden Sie spezielle Reinigungsmittel für die Entfernung von Silikondichtungsrückständen\*\*\*

Cleaning and maintenance

\*Typ **Clean Degreaser - Deep Degreaser** von **Faber Chimica** oder **Fila Powerclean** für den italienischen Markt - **Fila Hobby** für alle anderen Märkte.
\*\*Typ **Clean Limescale - Tile Cleaner** von **Faber Chimica** oder **Fila Deepclean** für den italienischen Markt - **Fila Via Bagno** für alle anderen Märkte.
\*Typ **Epoxy Cleaner** von **Faber Chimica** oder **Fila Zerosil**.

**Cleaning and Maintenance**

*Cleaning and Maintenance*

*Cleaning and Maintenance*

*Cleaning and Maintenance*

*Cleaning and Maintenance*

*Cleaning and Maintenance*

*Cleaning and Maintenance*

**STAHLROBERFLÄCHEN**
Edelstahl ist ein extrem widerständiges Material das keine korrosive Wirkung von Oxidation scheut. Für die Reinigung sollten jedoch spezielle Produkte verwendet werden.
Damit die Oberfläche nicht beschädigt wird, sollte außerdem der Einsatz folgender Materialien vermieden werden:
1. Metallschwämme oder -pads, die irreversible Kratzer und Abschürfungen verursachen können;
2. Aggressive Chemikalien;
3. Reinigungsmittel auf der Basis von Ammoniak, Bleichmittel oder Chlor.

*Cleaning and Maintenance*

*Cleaning and Maintenance*

**HIGIENIZACIÓN**
Las superficies de gres son extremadamente fáciles de higienizar, gracias a las características físico-mecánicas de este material. De hecho, al producirse a temperaturas muy elevadas, está totalmente libre de poros, lo que evita la proliferación de moho y bacterias. Por lo tanto, es posible utilizar sin problemas productos higienizantes o con una determinada concentración de sustancias capaces de eliminar gérmenes y bacterias de las superficies, con la máxima eficacia y sin miedo a dañar el propio material.

*Cleaning and Maintenance*

*Cleaning and Maintenance*

**LIMPIEZA HABITUAL**
Para la limpieza diaria, simplemente use una esponja húmeda o un paño de microfibra con agua caliente y un detergente neutro común\*, y seque con un paño suave. Para eliminar la suciedad acumulada en las esquinas, se recomienda frotar con un cepillo de cerdas suaves no abrasivas. Evite el uso de:

- Productos con características de encerado, reactivación, pulido y abrillantado;
- Productos que contienen ácido fluorhídrico y sus derivados;
- Estropajos metálicos (de hierro y acero) o excesivamente abrasivos.

**ATENCIÓN: El gres porcelánico no requiere la aplicación de ceras o detergentes con aditivos de pulido incluso cuando tiene una superficie pulida/lapeada.**

*Cleaning and Maintenance*

\*tipo **Clean Universal** de **Faber Chimica** o **Fila Clean&Shine** para el mercado Italia - **Fila Cleanall** para el mercado **Estados Unidos - Fila Brio** para todos los demás mercados.

*Cleaning and Maintenance*

*Cleaning and Maintenance*

**LIMPIEZA EXTRAORDINARIA**
En caso de manchas rebeldes de café, zumos de fruta, vino, tinta, etc. que no se puedan eliminar con la limpieza habitual, se recomienda utilizar detergentes de base alcalina\*
detergentes de base ácida\*\* en el caso de residuos de cal (u óxido)
utilice detergentes específicos para eliminar los residuos de selladores de silicona\*\*\*

*Cleaning and Maintenance*

\*tipo **Clean Degreaser - Deep Degreaser** de **Faber Chimica** o **Fila Powerclean** para el mercado Italia - **Fila Hobby** para los demás mercados.
\*\*tipo **Clean Limescale - Tile Cleaner** de **Faber Chimica** o **Fila Deepclean** para el mercado Italia - **Fila Via Bagno** para los demás mercados.
\*\*\*tipo **Epoxy Cleaner** de **Faber Chimica** o **Fila Zerosil**.

*Cleaning and Maintenance*

**SUPERFICIES DE ACERO**
El acero inoxidable es un material extremadamente resistente y no está sujeto a la acción corrosiva de la oxidación. No obstante, para la limpieza se recomienda utilizar productos especiales.
Además, para evitar dañar la superficie, no hay que usar:

- estropajos ni esponjas de acero que podrían producir arañazos y abrasiones irreversibles;
- productos químicos agresivos;
- productos de limpieza a base de amoniaco, lejía o cloro.

*Cleaning and Maintenance*

INDEX

*Cleaning and Maintenance*

*Cleaning and Maintenance*

*Cleaning and Maintenance*

*Cleaning and Maintenance*

*Cleaning and Maintenance*

*Cleaning and Maintenance*

*Cleaning and Maintenance*

*Cleaning and Maintenance*

*Cleaning and Maintenance*

*Cleaning and Maintenance*

*Cleaning and Maintenance*

*Cleaning and Maintenance*

*Cleaning and Maintenance*

*Cleaning and Maintenance*

*Cleaning and Maintenance*

*Cleaning and Maintenance*

*Cleaning and Maintenance*

*Cleaning and Maintenance*

*Cleaning and Maintenance*

*Cleaning and Maintenance*

*Cleaning and Maintenance*

*Cleaning and Maintenance*

*Cleaning and Maintenance*

*Cleaning and Maintenance*

*Cleaning and Maintenance*

*Cleaning and Maintenance*

*Cleaning and Maintenance*

*Cleaning and Maintenance*

*Cleaning and Maintenance*

*Cleaning and Maintenance*

*Cleaning and Maintenance*

*Cleaning and Maintenance*

*Cleaning and Maintenance*

*Cleaning and Maintenance*

*Cleaning and Maintenance*

*Cleaning and Maintenance*

*Cleaning and Maintenance*

*Cleaning and Maintenance*

*Cleaning and Maintenance*

*Cleaning and Maintenance*

*Cleaning and Maintenance*

*Cleaning and Maintenance*

*Cleaning and Maintenance*

*Cleaning and Maintenance*

*Cleaning and Maintenance*

*Cleaning and Maintenance*

Санитарная обработка

Санитарная обработка

Санитарная обработка

Санитарная обработка

Санитарная обработка

Санитарная обработка

#### САНИТАРНАЯ ОБРАБОТКА

Плитку из керамогранита очень легко дезинфицировать благодаря физико–механическим характеристикам материала. Очень высокая температура производства плитки из керамогранита позволяет добиться полного отсутствия пор, благодаря чему на поверхности плитки не размножаются бактерии и плесень. Данная особенность плитки позволяет с максимальной эффективностью и без опасения повредить материал использовать дезинфицирующие средства или продукты с определенной концентрацией активных веществ, способных уничтожать микробы и бактерии на поверхностях.

#### ЕЖЕДНЕВНАЯ ОЧИСТКА

Для ежедневной очистки достаточно использовать влажную губку или салфетку из микрофибры, смоченную теплой водой и обычным нейтральным моющим средством\*. После очищения плитку следует насухо вытереть мягкой тряпкой. Чтобы удалить скопившуюся в углах грязь, рекомендуется протирать плитку щеткой с мягкой неабразивной щетиной. Запрещается использовать:

- Продукты, содержащие воски или парафины, и придающие поверхности хороший внешний вид и блеск.
- Продукты, содержащие плавиковую кислоту и ее соединения.
- Металлические мочалки (стальные губки) или другие абразивные материалы.

**ВНИМАНИЕ! Плитка из керамогранита не требует применения воска или моющих средств с полировальными добавками, даже если она имеет полированную/лапатированную поверхность.**

Санитарная обработка

\*например, «**Clean Universal**» от производителя **Faber Chimica**, «**Fila Clean&Shine**» для итальянского рынка, «**Fila Cleanall**» для рынка США или «**Fila BRIO**» для всех остальных рынков.

#### УСТРАНЕНИЕ СТОЙКИХ ЗАГРЯЗНЕНИЙ

В случае возникновения стойких пятен, которые невозможно удалить в процессе ежедневной очистки, рекомендуется использовать щелочные моющие средства\*. Для устранения пятен кофе, фруктовых соков, вина, чернил и т. д. рекомендуется использовать моющие средства на кислотной основе\*\*. Для устранения известкового налета (или ржавчины) рекомендуется использовать специальные моющие средства для удаления остатков силиконовых герметиков\*\*\*

Санитарная обработка

\*например, «**Clean Degreaser – Deep Degreaser**» от производителя **Faber Chimica**, «**Fila Powerclean**» для итальянского рынка, «**Fila Hobby**» для других рынков.

\*\*например, «**Clean Limescale – Tile Cleaner**» от производителя **Faber Chimica**, «**Fila Deepclean**» для итальянского рынка, «**Fila Via Bagno**» для других рынков.

\*\*\*например, «**Epoxy Cleaner**» от производителя **Faber Chimica** или «**Fila Zerosil**».

#### СТАЛЬНЫЕ ПОВЕРХНОСТИ

Нержавеющая сталь является чрезвычайно прочным материалом и не подвержена коррозионному воздействию окисления. Однако для ее очистки следует использовать специальные средства. Кроме того, во избежание повреждения поверхности не используйте:

- металлические губки или мочалки, которые могут оставить навсегда царапины и потертости;
- агрессивные химические вещества;
- чистящие средства, содержащие аммиак, отбеливатель или хлор.

# Note

Санитарная обработка

Санитарная обработка

#### CAUTION

Avoid accidental shocks that could result in chipping or irreversible damage. In the event of breakage, check that the structural parts are not damaged and, if necessary, discard the item.

Avoid any improper use of the items and their components. Some removable parts could be used as blunt objects.

Be careful: sharp edges and possible razor-sharp surfaces.

Санитарная обработка

#### ATTENZIONE

Evitare urti accidentali che potrebbero provocare sbecature o lesioni non ripristinabili. In presenza di rotture verificare che le parti strutturali non siano compromesse e nel caso mettere fuori utilizzo l’oggetto.

Evitare qualsiasi uso improprio degli articoli e dei loro componenti. Alcune parti removibili potrebbero essere utilizzate come oggetti contundenti.

Prestare attenzione: spigoli acuminati e possibile presenza di superfici taglienti.

Санитарная обработка

#### ATTENTION

Éviter les chocs accidentels qui pourraient provoquer des ébréchures ou des lésions impossibles à réparer. En cas de ruptures, vérifier que les parties structurelles ne soient pas compromises et si c’est le cas, mettre l’objet hors d’usage.

Éviter tout usage impropre des articles et de leurs composants. Certaines parties amovibles pourraient être utilisées comme des objets susceptibles de blesser. Faire attention : arêtes vives et présence possible de surfaces coupantes.

Санитарная обработка

#### ACHTUNG

Stöße sind zu vermeiden, da sie zu Absplitterungen oder Schäden führen könnten, die nicht reparierbar sind. Im Falle von Schäden muss sichergestellt werden, dass die Strukturteile keine Schäden erlitten haben. Ansonsten sollte der Gegenstand nicht mehr genutzt werden.

Jede unsachgemäße Verwendung der Artikel und ihrer Bestandteile ist zu vermeiden. Einige abnehmbare Teile könnten bei unsachgemäßem Gebrauch Verletzungen hervorrufen. Immer vorsichtig sein und auf scharfe Kanten und Teile achten.

Санитарная обработка

#### ATENCIÓN

Evite impactos accidentales que puedan causar mellas o lesiones irreparables. Si se observan roturas, compruebe que las partes estructurales no estén afectadas y, si es necesario, deje de utilizar el objeto.

Evite cualquier uso indebido de los artículos y sus componentes. Algunas partes extraíbles podrían usarse como objetos contundentes.

Cuidado: podría haber bordes puntiagudos y superficies afiladas.

Санитарная обработка

#### ВНИМАНИЕ

Избегайте случайных ударов, которые могут вызвать сколы или необратимые повреждения. В случае поломки проверьте, не повреждены ли конструктивные элементы, и, если необходимо, выведите изделие из эксплуатации.

Избегайте любого ненадлежащего использования изделий и их компонентов. Некоторые съемные детали могут быть использованы в качестве тупых предметов.

Будьте осторожны: острые края и возможное наличие режущих кромок.

Санитарная обработка

Санитарная обработка

**Detailed technical data sheet available for download on the website** | Scheda tecnica dettagliata scaricabile dal sito | Fiche technique détaillée téléchargeable sur le site | Technisches detailliertes Merkblatt zum Herunterladen aus der Webseite | Ficha técnica detallada que se puede descargar del sitio | Подробные технические спецификации можно скачать с сайта.

**Dimensional tolerances ± 2 mm.** | Tolleranze dimensionali ±2mm | Tolérances sur les dimensions ±2mm | Abmessungstoleranzen ±2mm | Tolerancias dimensionales ±2mm | Размерный допуск ±2mm

**The specifications given, including weights and dimensions, may differ slightly from the actual pieces, due to the inherent tolerance characteristics of the ceramic material and its manufacturing process. The company reserves the right to change technical data sheets and operating characteristics of products at any time without prior notice.**
| Le caratteristiche riportate, inclusi pesi e misure, possono presentare leggere differenze rispetto ai pezzi reali, in considerazione delle caratteristiche di tolleranza intrinseche del materiale ceramico e del suo processo produttivo. L’azienda si riserva di cambiare schede tecniche e caratteristiche di funzionamento degli articoli in ogni momento e senza necessità di preavviso.
| Les caractéristiques mentionnées, notamment les poids et dimensions, peuvent présenter de légères différences par rapport aux pièces réelles en raison des caractéristiques de tolérance intrinsèques du matériau céramique et de son processus de production. La société se réserve le droit de modifier les fiches techniques et les caractéristiques de fonctionnement des produits à tout moment et sans préavis.
| Die dargestellten Eigenschaften, einschließlich Gewichte und Abmessungen könnten aufgrund der materialbezogenen keramischen Eigenschaften und des Produktionsprozesses leicht von den Eigenschaften des effektiven Materials abweichen. Das Unternehmen behält sich das Recht vor, technische Merkblätter und Betriebseigenschaften der Artikel jederzeit ohne vorherige Ankündigung zu ändern.
| Las características mostradas, incluyendo pesos y medidas, pueden presentar ligeras diferencias con respecto a las piezas reales, teniendo en cuenta las características de tolerancia intrinsecas del material cerámico y de su proceso de producción. La empresa se reserva el derecho a modificar las fichas técnicas y las características de funcionamiento de los productos en cualquier momento y sin previo aviso.
| Указанные здесь характеристики, включая вес и размеры, могут незначительно отличаться от характеристик готовых изделий, что обуславливается особенностью керамического материала и процессом его производства. Компания оставляет за собой право вносить изменения в технические спецификации и эксплуатационные характеристики изделий в любое время и без предварительного уведомления.

**Colors and optical features of the materials illustrated in this catalogue are to be regarded as mere indications.**
| I colori e le caratteristiche estetiche dei materiali illustrati nel presente catalogo sono da ritenersi puramente indicativi.
| Les coloris et les caractéristiques esthétiques des références illustrées dans le catalogue sont donnés à titre purement indicatif.
| Die Farben und die ästhetischen Eigenschaften der in diesem Katalog abgebildeten Produkte sind als reine Richtwerte zu betrachten.
| Los colores y las características estéticas de los materiales ilustrados en el presente catálogo deben ser considerados como puramente indicativos.
| Цвета и эстетические характеристики описанных в настоящем каталоге материалов являются только ориентировочными.

# Environmental sustainability



## Our certifications:



© Ceramiche Atlas Concorde



© Ceramiche Atlas Concorde

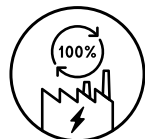


© Ceramiche Atlas Concorde



© Ceramiche Atlas Concorde

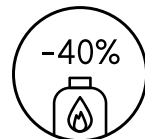
### Energy efficiency



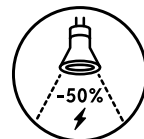
100% autonomous on energy



Hot air heat recovery from kilns and cooling water



40% savings on natural gas



100% LED lighting  
50% ANNUAL SAVINGS in electricity consumption

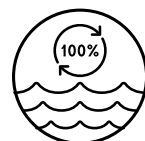
### Waste management



100% recycled scraps



99% of waste sent for recovery and 25% waste reduction in the last two years

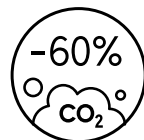


100% recycled industrial water and 27% reduction in water consumption in the last two years

### Environment and health first



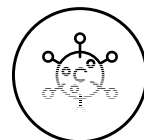
Cardboard and other packaging: 100% recycled material



MAV Automatic Vertical Warehouse: 60% CO2 reduction



Complete air filtration



Absence of carcinogenic substances in products

An ecological transition is among the company's industrial priorities. Our plants comply with the most stringent international regulations – fully automated and low-impact – as they are equipped with energy cogeneration systems. A constant commitment to the total reduction of waste and emissions completes the picture of a company oriented towards maximum environmental sustainability.

La transizione ecologica è tra le priorità industriali dell'azienda. I nostri impianti sono conformi alle più stringenti normative internazionali, completamente automatizzati e a basso impatto, in quanto dotati di sistemi di cogenerazione energetica. Il costante impegno per la totale riduzione degli sprechi e delle emissioni completano il quadro di un'azienda orientata alla massima sostenibilità ambientale.

La transition écologique est une des priorités industrielles de l'entreprise. Nos installations sont conformes aux réglementations internationales les plus sévères, entièrement automatisées et à faible impact, car équipées de systèmes de cogénération énergétique. L'engagement constant pour la réduction totale du gaspillage et des émissions complète le tableau d'une entreprise engagée pour une meilleure durabilité environnementale.

Der ökologische Wandel gehört zu den Prioritäten der industriellen Strategie des Unternehmens. Unsere Anlagen entsprechen den strengsten internationalen Richtlinien; sie arbeiten vollautomatisch und umweltschonend, denn sie sind mit Kraft-Wärme-Kopplungssystemen ausgerüstet. Ein weiterer Aspekt dieses Unternehmens, das sich ganz der Erreichung maximaler ökologischer Nachhaltigkeit verschrieben hat, ist sein kontinuierliches Engagement für die völlige Eliminierung von Verschwendung und Emissionen.

La transición ecológica está entre las prioridades industriales de la empresa. Nuestras plantas cumplen las normas internacionales más estrictas, totalmente automatizadas y de bajo impacto, ya que están equipadas con sistemas de cogeneración energética. Los esfuerzos constantes por reducir completamente los residuos y las emisiones completan la imagen de una empresa centrada en la máxima sostenibilidad medioambiental.

Экологический переход – один из основных технологических приоритетов компании. Наши производственные процессы отвечают требованиям строжайших международных стандартов, автоматизированы, оказывают минимальное воздействие на окружающую среду, а кроме того, на заводе работает собственная когенерационная установка. А еще мы принимаем меры по сокращению отходов и выбросов, что является еще одним свидетельством ориентации на экологическую устойчивость.

# Porcelain and wall tiles: a safe choice.



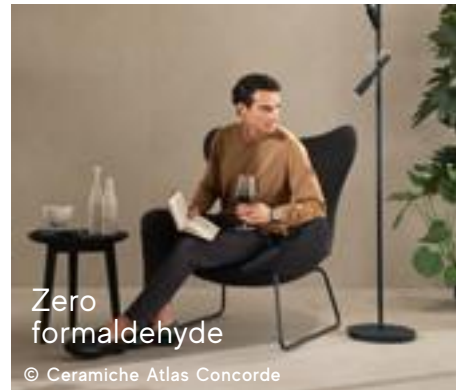
## Health



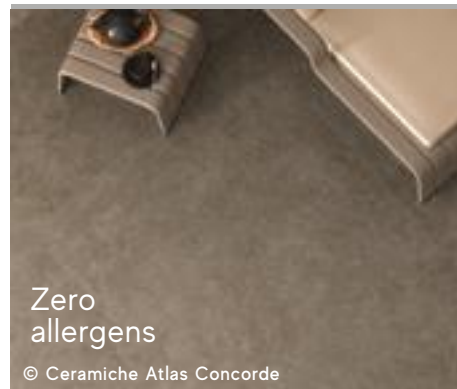
Prevent bacterial growth  
© Ceramiche Atlas Concorde



Zero PVC  
© Ceramiche Atlas Concorde



Zero formaldehyde  
© Ceramiche Atlas Concorde

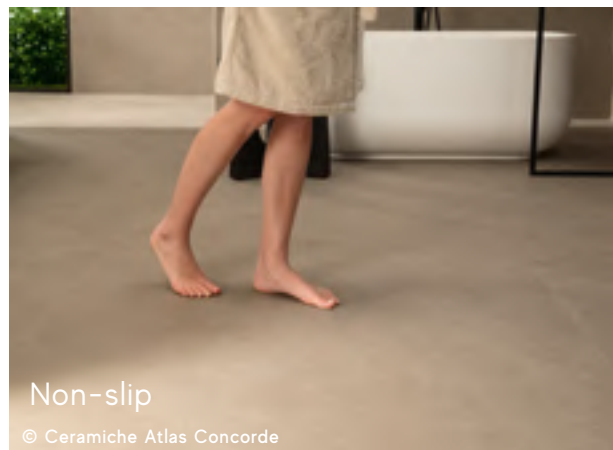


Zero allergens  
© Ceramiche Atlas Concorde

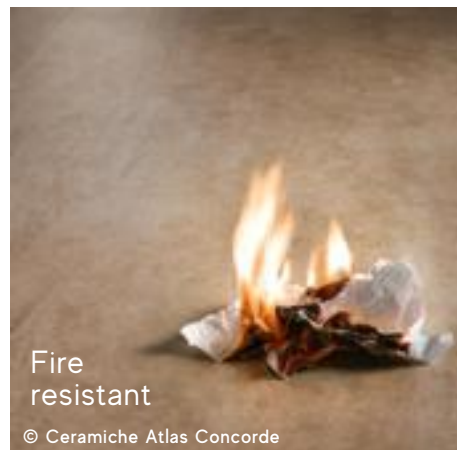


Zero VOCs  
© Ceramiche Atlas Concorde

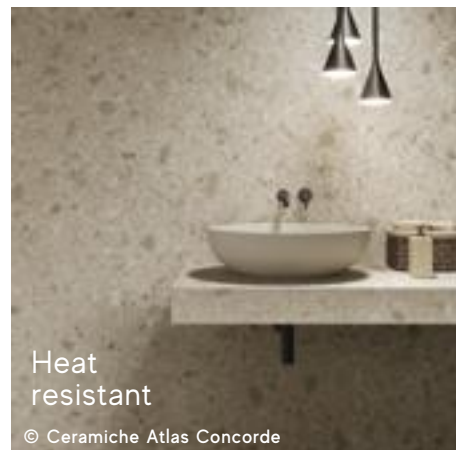
## Safety



Non-slip  
© Ceramiche Atlas Concorde



Fire resistant  
© Ceramiche Atlas Concorde



Heat resistant  
© Ceramiche Atlas Concorde

## Eco-friendly material



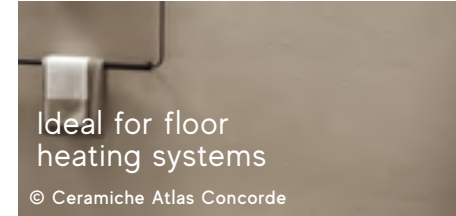
Energy efficient  
© Ceramiche Atlas Concorde



Ecological  
© Ceramiche Atlas Concorde



Recycling and re-use  
© Ceramiche Atlas Concorde



Ideal for floor heating systems  
© Ceramiche Atlas Concorde

## Resistance and duration



Easy to maintain  
© Ceramiche Atlas Concorde



UV Resistant  
© Ceramiche Atlas Concorde



Resistant to chemicals  
© Ceramiche Atlas Concorde



Resistant to thermal shock  
© Ceramiche Atlas Concorde



Stain resistant  
© Ceramiche Atlas Concorde



Resistant to acids  
© Ceramiche Atlas Concorde



Easy to clean  
© Ceramiche Atlas Concorde



Waterproof  
© Ceramiche Atlas Concorde



Scratch resistant  
© Ceramiche Atlas Concorde

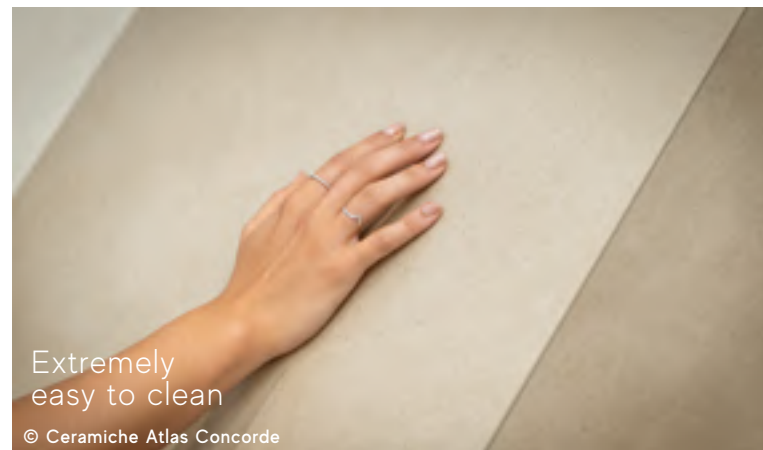


Frost resistant  
© Ceramiche Atlas Concorde

## Wall tile benefits



Ease of installation  
© Ceramiche Atlas Concorde



Extremely easy to clean  
© Ceramiche Atlas Concorde

INDEX



OVERVIEW



PRODUCT GALLERY



PRODUCT RANGE & TECHNICAL SPECS.



SUSTAINABILITY



THE BENEFITS OF CERAMIC TILES







Ceramiche Atlas Concorde S.p.A.  
Via Canaletto 141  
41042 Spezzano di Fiorano (MO) - Italia

Atlas Concorde USA, Inc.  
117 Seaboard Lane - Suite F170  
Franklin, TN 37067 - USA

Atlas Concorde Russia  
Business centre "Meliora Place"  
Prospekt Mira 6  
129090 Moscow - Russia

**[atlasconcorde.com](http://atlasconcorde.com)**

Copyright 2022 by Ceramiche Atlas Concorde S.p.A.  
(Spezzano di Fiorano, MO - Italy)  
September 2022