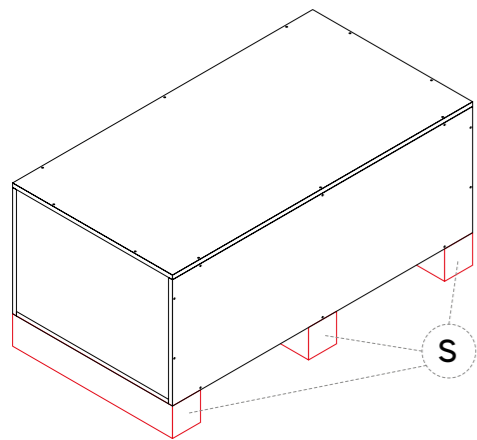


**CONTRACT**

**INSTALLATION  
INSTRUCTIONS**

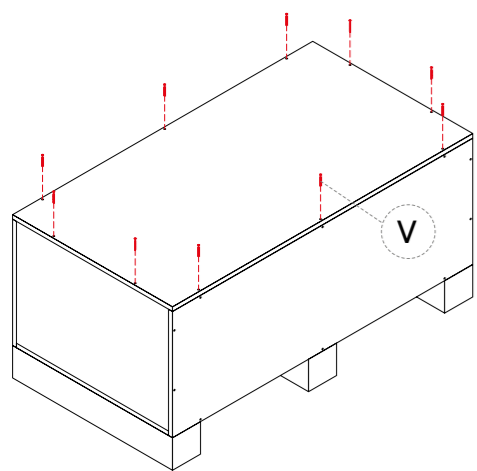
# Handling



Move the unit as close as possible to the application area within its packaging. Minimise movement of the unit out of its packaging. Carry it in at least two operators and in any case in compliance with the thresholds for manual lifting of loads. Due to the fragility of the product, handle it with extreme caution, even in its packaging.

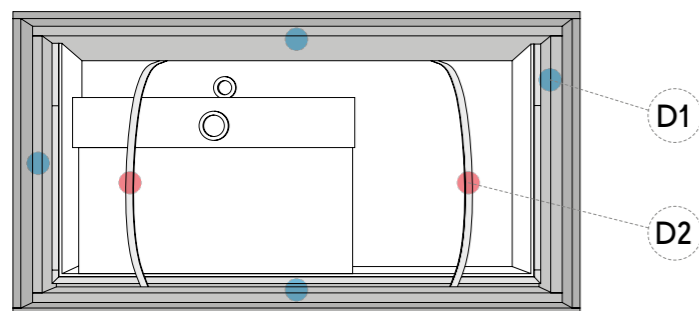
The product is delivered in a wooden crate with wooden support feet (S) for easy handling and storage.

# Unpacking

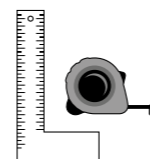


Unpack the unit in a space suitable for safe and ergonomic operations.

Open the wooden case by removing the locking screws (V) on the outer panels.



Carefully remove all the anti-shock support bands (D1) and then use the appropriate plastic bands (D2) to extract the washbasin from the wooden crate, taking care to keep it in a horizontal position.



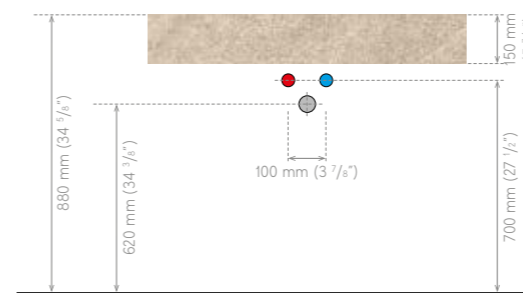
# Installation

## Wall-mounted washbasin

### Preliminary steps

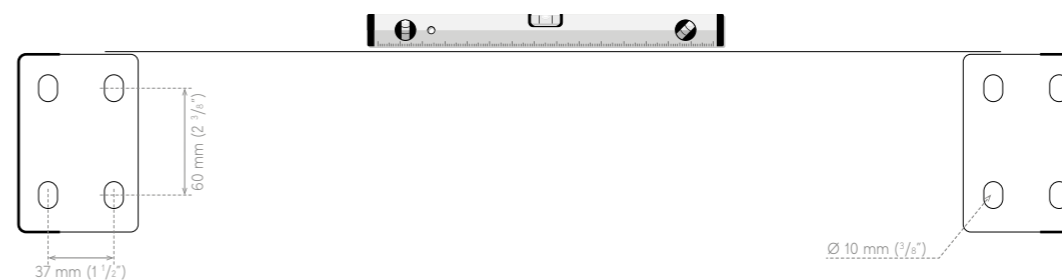
- Before drilling into the wall support, it is necessary to:
- check the position of drains and delivery connections\*
  - determine the height of the washbasin from ground

\*For tap on top



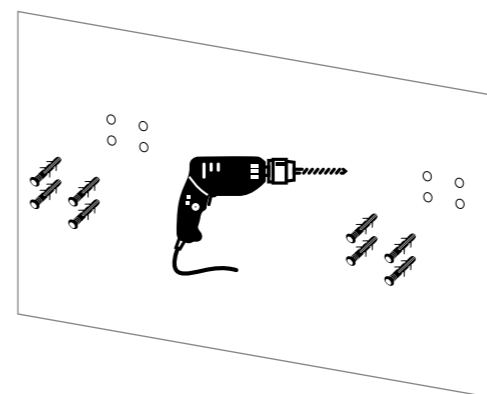
Recommended dimensions for single basin

- check the distance from the top edge of the bracket to the top edge of the washbasin
- mark the position of the holes using the bracket as a template
- ensure perfect horizontality
- check for the absence of system tracks in the area of the wall substrate affected by the drilling.



### Drilling

- drill holes in the wall using a suitable tool
- clean the hole of dust residues
- use fasteners suitable for the type of wall.

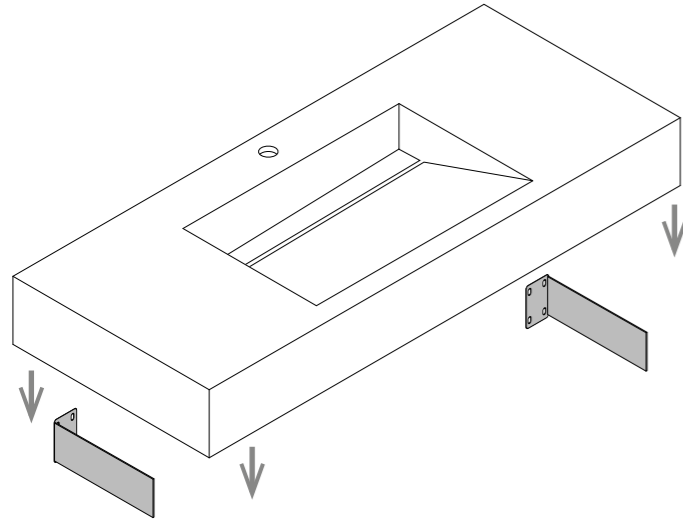


### Bracket positioning

- fix the brackets to the wall using the holes provided using the selected anchor bolts
- check the correct flatness of the brackets at several points. In the event of unevenness and/or lack of squareness, correct this using spacers.

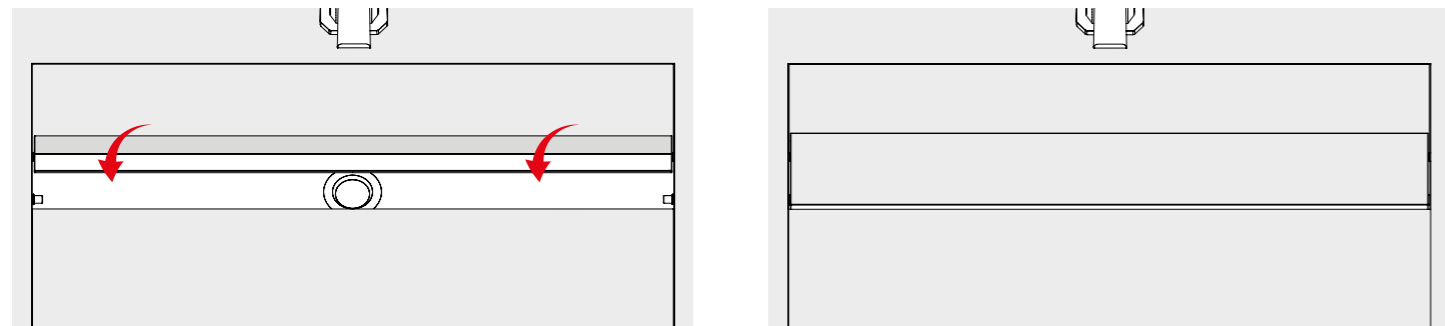
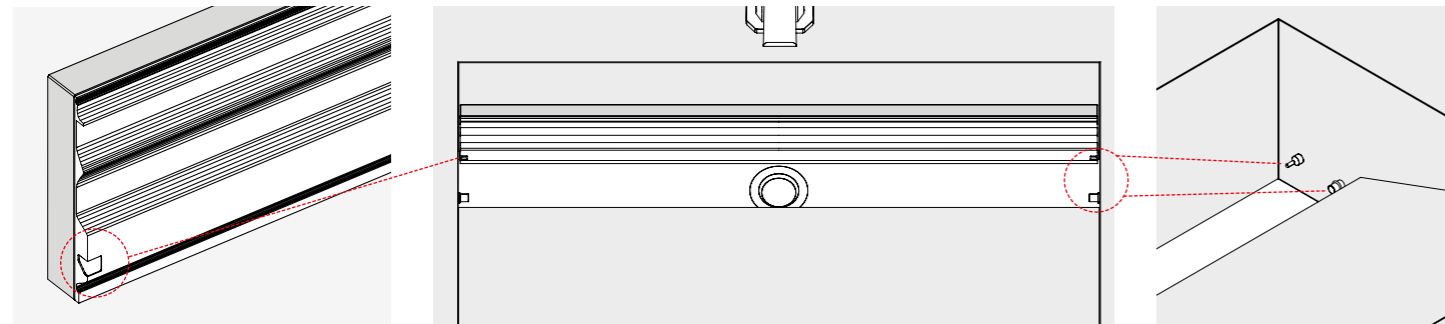
### Washbasin positioning

- apply an even layer of silicone to the top of the brackets
- position the washbasin in its final location by resting it on the brackets. The operation must be carried out during the period in which the silicone retains its full adhesive power



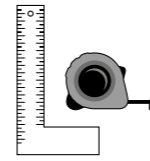
- the normal drying cycle of the silicone must be observed before any other operation

- carefully place the swinging panel in its place by inserting the pins on the sides of the basin into the appropriate slots on the back of the swinging panel.



### Hydraulic fittings

- connect the drain (1" 1/4), which is not included, to the drain pipe by screwing it to the selected siphon trap
- if the washbasin is fitted with the mixer on the unit, Ø 35 mm hole, install it, taking care to apply a tightening torque that does not create fractures or tension on the unit and in any case not over 12 Nm
- check the hydraulic tightness of the fittings by activating the water deliveries.



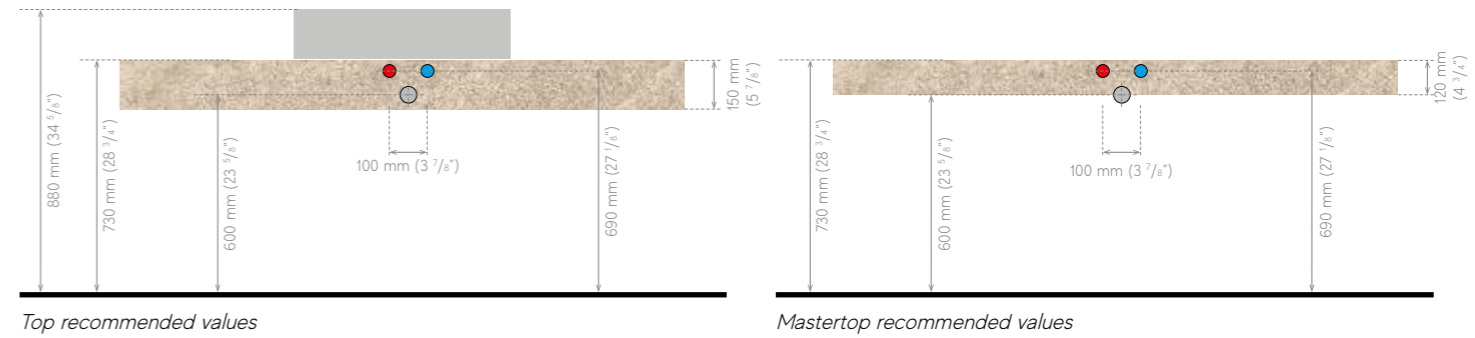
# Installation

## Top - Mastertop

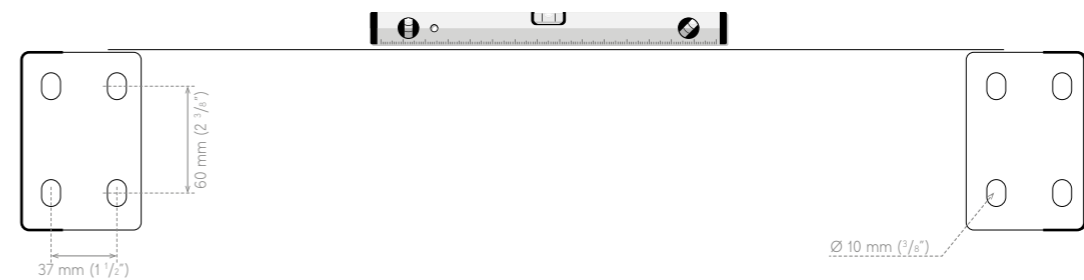
### Preliminary steps

- Before drilling into the wall support, it is necessary to:
- check the position of drains and delivery connections\*
- determine the height of the top from ground

\*For tap on top

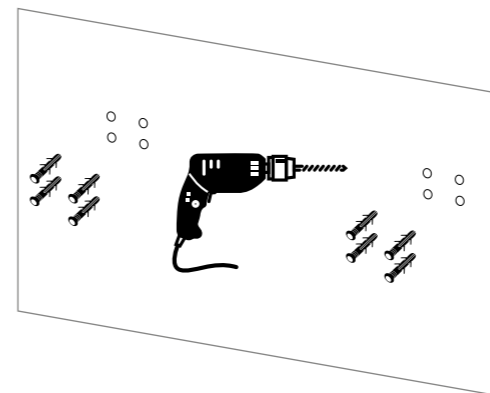


- check the distance from the top edge of the bracket to the top edge of the top
- mark the position of the holes using the bracket as a template
- ensure perfect horizontality
- check for the absence of system tracks in the area of the wall substrate affected by the drilling.



### Drilling

- drill holes in the wall using a suitable tool
- clean the hole of dust residues
- use fasteners suitable for the type of wall.

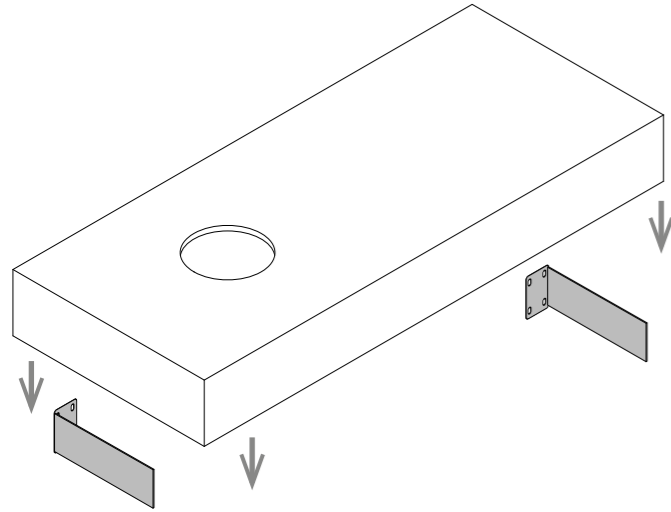


### Bracket positioning

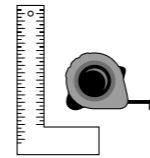
- fix the brackets to the wall using the holes provided using the selected anchor bolts
- check the correct flatness of the brackets at several points. In the event of unevenness and/or lack of squareness, correct this using spacers.

### Top positioning

- apply an even layer of silicone to the top of the brackets
- position the top in its final location by resting it on the brackets. The operation must be carried out during the period in which the silicone retains its full adhesive power



- the normal drying cycle of the silicone must be observed before any other operation.



# Installation

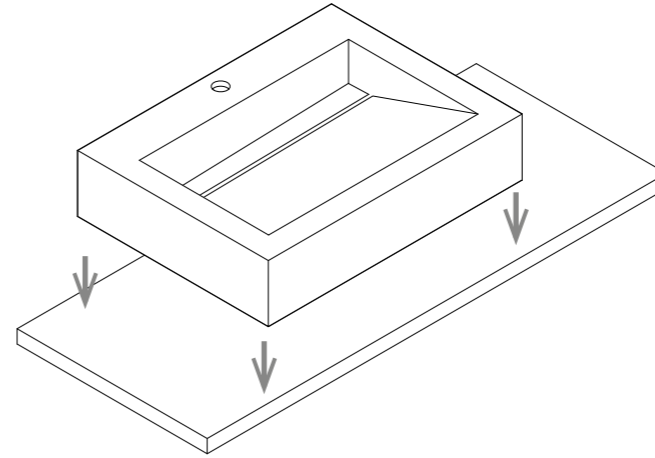
## Sit-on basin

### Preliminary steps

- check that the top surface where the unit is to be installed is perfectly flat, using a level
- ensure that the top surface has adequate strength and rigidity to support the unit and to ensure full functionality in service.

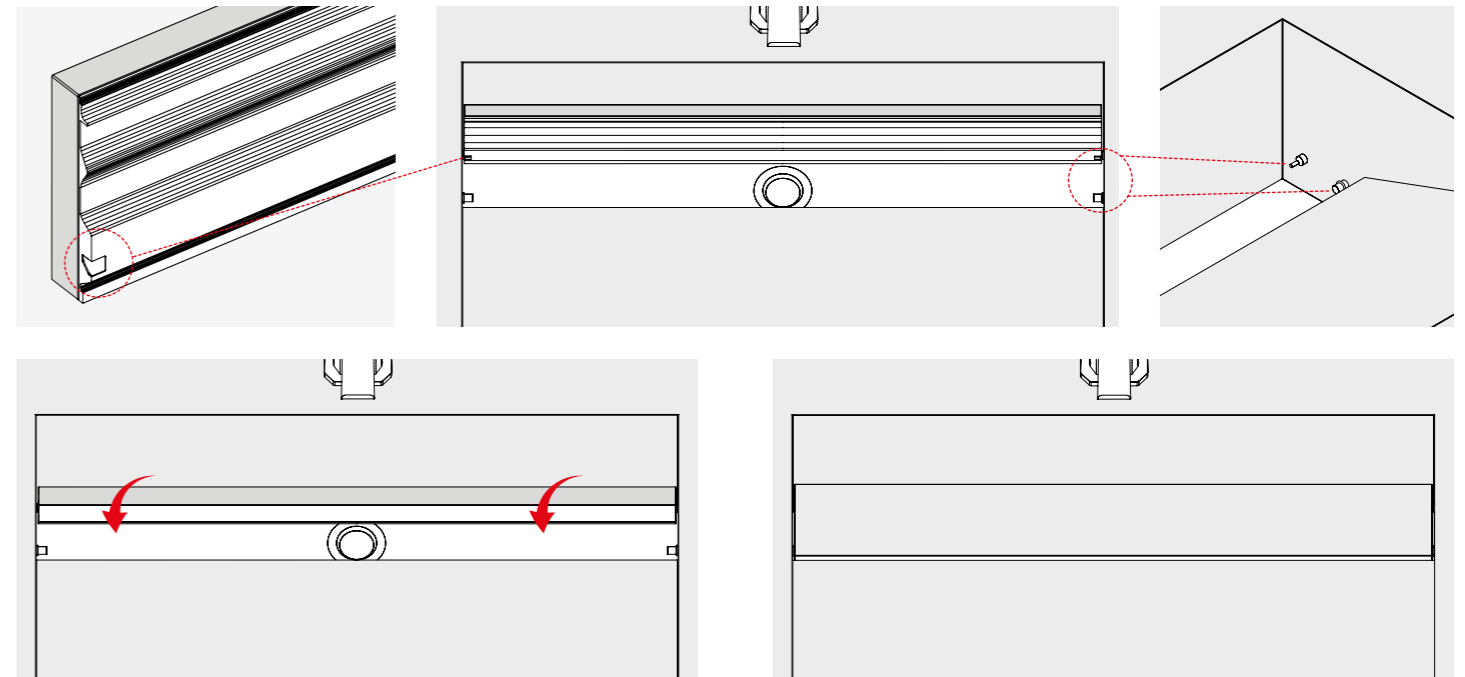
### Sit-on basin positioning

- check the position of the washbasin in relation to all other elements
- clean the top surface, taking care to remove traces of dirt and dust
- once the position has been defined, turn the washbasin upside down and apply silicone evenly to the lower edge



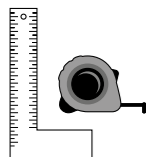
- position the washbasin in its final location. The operation must be carried out during the period in which the silicone retains its full adhesive power

- carefully place the swinging panel in its place by inserting the pins on the sides of the basin into the appropriate slots on the back of the swinging panel.



### Hydraulic fittings

- connect the drain (1" 1/4), which is not included, to the drain pipe by screwing it to the selected siphon trap
- if the washbasin is fitted with the mixer on the unit, Ø 35 mm hole, install it, taking care to apply a tightening torque that does not create fractures or tension on the unit and in any case not over 12 Nm
- check the hydraulic tightness of the fittings by activating the water deliveries.

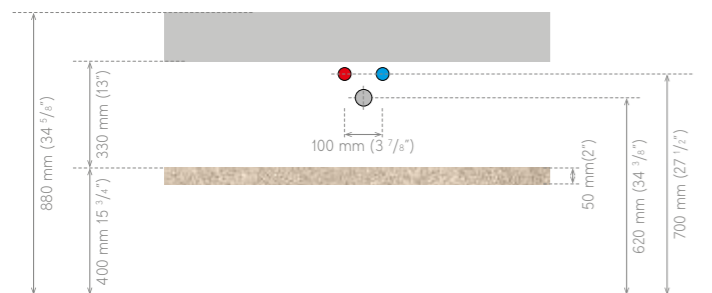


# Installation Shelf

## Preliminary steps

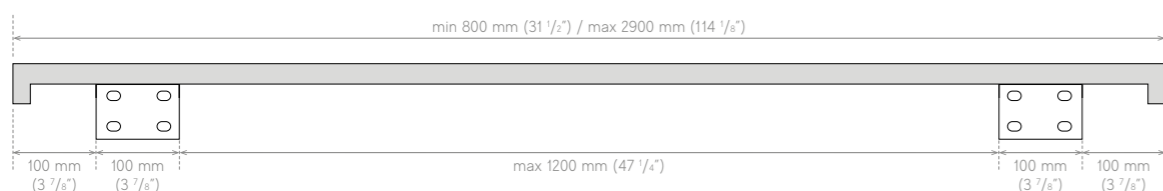
Before drilling into the wall support, it is necessary to:

- determine the height of the shelf from ground



Recommended dimensions for the shelf

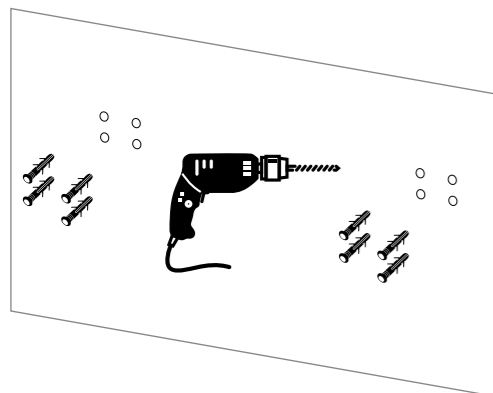
- check the distance from the top edge of the bracket to the top edge of the shelf
- mark the position of the holes using the bracket as a template
- ensure perfect horizontality
- check for the absence of system tracks in the area of the wall substrate affected by the drilling
- consider the number of brackets to be used by referring to the diagram below.



\*\* Maximum static load 50 kg

## Drilling

- drill holes in the wall using a suitable tool
- clean the hole of dust residues
- use fasteners suitable for the type of wall.

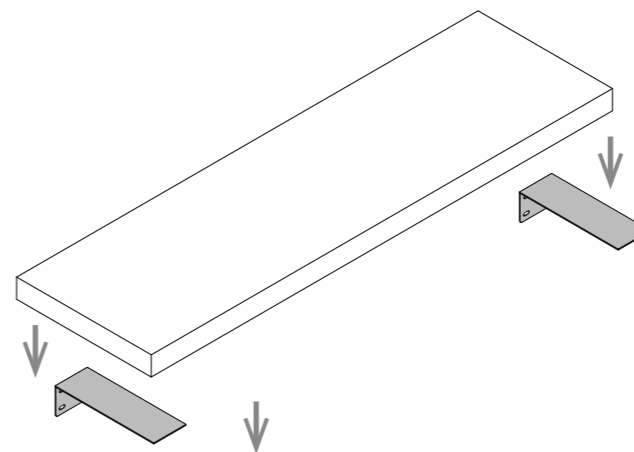


## Bracket positioning

- fix the brackets to the wall using the holes provided using the selected anchor bolts
- check the correct flatness of the brackets at several points. In the event of unevenness and/or lack of squareness, correct this using spacers.

## Shelf positioning

- apply an even layer of silicone to the top of the brackets
- position the shelf in its final location by resting it on the brackets. The operation must be carried out during the period in which the silicone retains its full adhesive power



- the normal drying cycle of the silicone must be observed before any other operation.

ATLAS CONCORDE S.p.A. declines all responsibility deriving from improper use of the product, tampering, incorrect installation or maintenance of the product.

CAUTION: Install the products following all the instructions provided by Atlas Concorde in this manual in order to avoid possible falls or tipping over.

Detailed data sheet and DOP downloadable from the webpage.



Copyright 2022 by Ceramiche Atlas Concorde S.p.A.  
March 2022